



FOUR FOLD BATHSCREEN

CONTENTS

REF	DESCRIPTION	QTY
A	CONCEALED FIXING COVER	1
B	WALL POST	1
C	FOLDING SCREEN	1
D	SEAL CLIP	1
E	SELF TAPPING SCREW	4
F	PLASTIC WASHER	4
G	FLEXIBLE SEAL	1

FULL FITTING INSTRUCTIONS

ALL NOMINAL DIMENSIONS IN MILLIMETRES

Please ensure that these instructions are read thoroughly prior to installation. The manufacturer cannot be held responsible for any problems arising from an incorrectly installed product.

Guarantee Terms and Conditions

The Manufacturers policy is one of continuous development and improvement and accordingly we reserve the right to alter specification without prior notice.

The utmost care has been taken in the manufacture of this product to ensure it gives complete satisfaction. To the best of our knowledge this product was in perfect condition when it left our factory. You are recommended to examine it before installation and check quality, accuracy of the components and quantity of the contents. Customers should note that claims for damage to glass, finish or shortages must be submitted to the vendor before installation. The manufacturer also reserves the right to disallow claims once the product has been installed.

Failure to follow the recommendations set out in these instructions or to install in a manner not approved by the manufacturer may result in all or part of the product guarantee being null or void.

This product is guaranteed by the manufacturer for a period of 10 years from the date of purchase and no other proposal or statement by any other party will supersede or complement this offer. Should any part of it become defective due to faulty manufacture or materials, it will be replaced free of charge (supply only). Any parts supplied will have a guarantee term for the remaining period of the initial product guarantee stated previously. The product is not guaranteed against conditions of use or misuse.

This guarantee does not cover glass breakage however caused, or any fault arising from incorrect installation. Any replacement parts supplied, including assemblies, or completed products, are for DIY installation and no claim can be accepted for any costs however incurred for the installation of the replacement items.

This guarantee is offered as an extra benefit and is in addition to and does not affect your statutory rights. Please retain your receipt as proof of purchase.

TOOLS REQUIRED

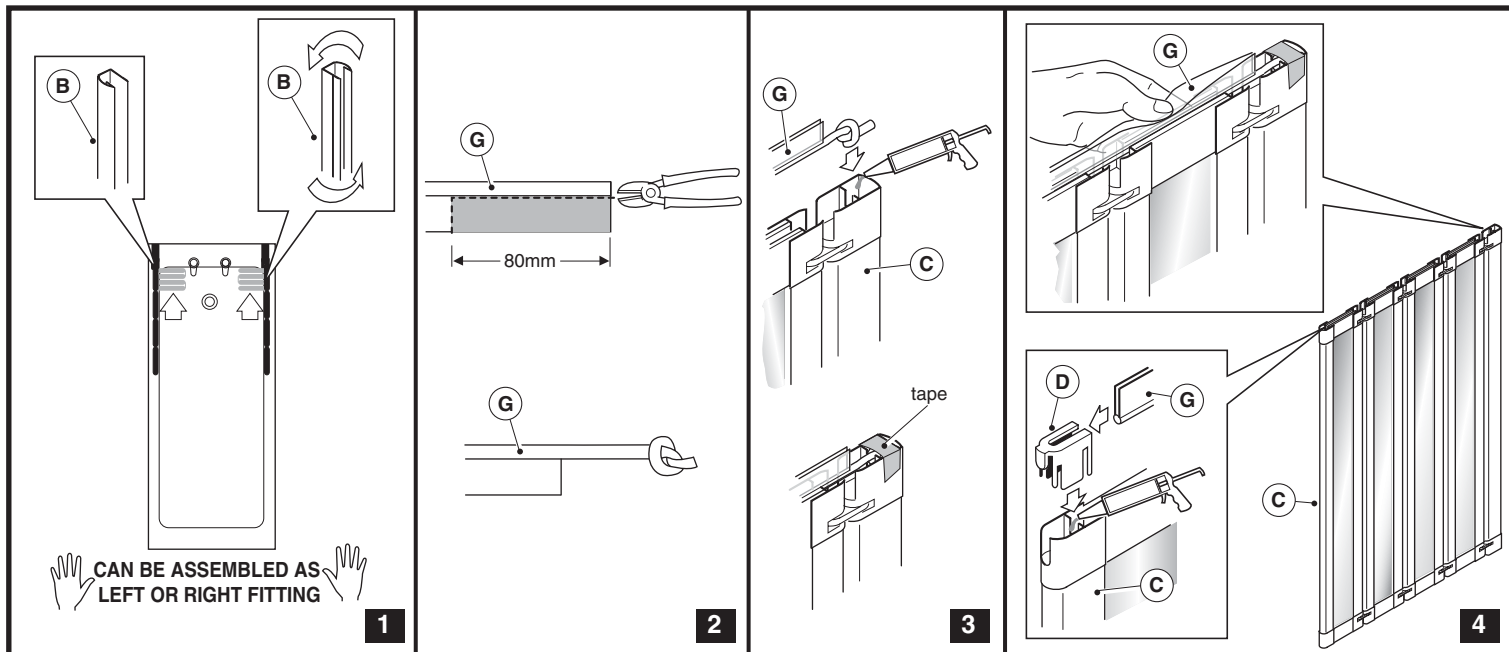
Note: The silicone sealant to be used in the assembly and finish of this shower enclosure should be CLEAR.

Masonry drill bit
 Ø to suit wall fixing
 Ø 2.8mm

Prior to installation, carefully unwrap the product; ensuring it is placed on a clean surface to reduce the risk of scratching the finish. Inspect the product for transit damage; all such damage must be reported within 3 days of receipt to the supplier.

IMPORTANT

Take care to avoid hidden water pipes and electrical cables when drilling into the wall. Seek expert advice on the type of wall fixings applicable to your wall construction and the type of sealant to use in your application.



INSTALLATION

The following text is to be read in conjunction with the pictorial diagrams.

1 PREPARATION

Ensure that the walls are tiled and are vertical to the bath.

Make sure that the bath has been installed as per the manufacturer's instructions, that it is level and the joint between the tiles and the bath is sealed with a continuous bead of an appropriate sanitary silicone sealant.

Check that the bath has no protruding features, such as hand grips, that will obstruct the movement of the bathscreen and that the top surface of the bath is flat.

2 Measure 80mm from one end of the flexible seal (G) and cut along the round part of the seal, removing the two flat blades.

Tie a knot in the cut end of the seal as close to the end as possible.

3 Turn the bathscreen (C) upside down to expose the seal channel along the bottom of the screen. Apply a small amount of silicone sealant into the end of the hinge post of the screen (which fits into the wall post) and insert the knot on the seal into the hinge post, with the seal blades facing upwards.

Place a small piece of adhesive tape over the knot to hold it in place during the fixing of the seal and until the silicone has cured.

4 Firmly press the seal downwards into the channel, working along the bathscreen from the knot to the opposite end. A small drop of washing-up liquid wiped along the round edge of the seal will make it slide into the channel easier.

Cut the seal about 5mm from the edge of the screen and insert it fully into the seal clip (D). Apply a small amount of silicone sealant into the end of the screen and push the seal clip into it. Place a piece of tape over the clip until the sealant is cured.

Allow 24 hours for the sealant to cure, then remove the tape.

5 Turn the screen so that the seal is at the bottom and push the wall post (B) fully home onto the bathscreen (C).

6 Place the assembled bathscreen as near as possible to the inside of the rim of the bath, making sure that it is vertical. Check that the wall post rests on the surface of the bath and that the bathscreen operates freely without obstruction.

Hold the assembled bathscreen in place and draw a pencil line down the edges of the wall post.

7 Remove the assembled unit and separate the wall post from the screen.

Reposition the wall post on the wall using the vertical pencil lines as a guide.

Mark through the pre-drilled holes on the back face.

Remove the wall post.

8 Drill at the pre-marked positions and insert wall fixings applicable to your wall type construction (not supplied).

9 Attach the wall post to the wall using screws applicable for your wall fixings (not supplied). It is recommended that you apply a small bead of silicone sealant behind the head of each screw before tightening to prevent water ingress. Apply silicone sealant at the bottom of the wall post on the inside.

10 Push the bathscreen back into the wall post and adjust the screen so that the flexible seal runs evenly over the rim of the bath.

To secure the bathscreen to the wall post, measure 50mm from the top and bottom of the wall post on the vee groove and mark. Drill through the wall post at these marks with a 2.8mm drill bit, then drill a further two equally spaced holes between them in the wall post, using the vee groove as a guide.

Fix using the four No. 6 x 3/8" screws (E) and plastic washers (F) provided.

Check that the bathscreen is resting on the the bath.

11 It is important that the bathscreen is sealed properly and carefully to allow any water to flow back INTO the bath at the correct places. All surfaces must be clean and dry before the application of sealant.

INSIDE THE BATHSCREEN

1 Apply a continuous bead of suitable silicone sealant from bottom to top between the wall post and the wall.

2 Apply a continuous bead of silicone sealant from bottom to top between the wall post and the bathscreen frame, taking care to avoid the hinge mechanism.

IMPORTANT

DO NOT seal along the bottom of the inside of the bathscreen frame as this will prevent any water from draining back into the bath.

OUTSIDE THE BATHSCREEN

1 Apply a continuous bead of silicone sealant from bottom to top between the wall post and the wall.

2 Apply a continuous bead of silicone sealant from bottom to top between the wall post and the bathscreen frame, taking care to avoid the hinge mechanism.

3 Join these two lines of sealant at the bottom where the frame sits on the rim of the bath.

Take care to avoid putting silicone sealant on the bottom seal as this may impede the pivoting action of the bathscreen, or may allow water to pass any undulations in the seal surface.

Allow 24 hours for silicone to fully cure before use.

12 Clip the concealed fixing cover (A) into position on the wall post by pushing it firmly over the plastic washers.

This bathscreen is suitable for use with gravity fed showers.

Careful consideration should be given when using other types of showers which may cause leakage problems and excessive splashing outside the showering area.

CARE AND ATTENTION

Clean your bathscreen with mild detergent and water promptly after use. This will prevent the build up of limescale.

NEVER use an abrasive or aggressive cleaner.

A proprietary glass cleaner can be used if necessary.

