

IN-LINE DOOR PANEL

FEATURES

- 1850 TALL
- ADJUSTABLE WALL POST
- LEFT OR RIGHT HAND ASSEMBLY
- FOR USE WITH PIVOT OR BIFOLD DOOR ONLY
- APPROVED FOR USE WITH POWER SHOWERS
- CONCEALED FIXING COVERS

FULL FITTING INSTRUCTIONS

ALL NOMINAL DIMENSIONS IN MILLIMETRES

Please ensure that these instructions and the instructions supplied with the door, (together with the instructions supplied with the side panel if this is being assembled) are read thoroughly prior to installation. The manufacturer cannot be held responsible for any problems arising from an incorrectly installed product.

Guarantee Terms and Conditions

The Manufacturers policy is one of continuous development and improvement and accordingly we reserve the right to alter specification without prior notice.

The utmost care has been taken in the manufacture of this product to ensure it gives complete satisfaction. To the best of our knowledge this product was in perfect condition when it left our factory. You are recommended to examine it before installation and check quality, accuracy of the components and quantity of the contents. Customers should note that claims for damage to glass, finish or shortages must be submitted to the vendor before installation. The manufacturer also reserves the right to disallow claims once the product has been installed.

Failure to follow the recommendations set out in these instructions or to install in a manner not approved by the manufacturer may result in all or part of the product guarantee being null or void.

This product is guaranteed by the manufacturer for a period of 10 years from the date of purchase and no other proposal or statement by any other party will supersede or complement this offer. Should any part of it become defective due to faulty manufacture or materials, it will be replaced free of charge (supply only). Any parts supplied will have a guarantee term for the remaining period of the initial product guarantee stated previously. The product is not guaranteed against conditions of use or misuse.

This guarantee does not cover glass breakage however caused, or any fault arising from incorrect installation. Any replacement parts supplied, including assemblies, or completed products, are for DIY installation and no claim can be accepted for any costs however incurred for the installation of the replacement items.

This guarantee is offered as an extra benefit and is in addition to and does not affect your statutory rights. Please retain your receipt as proof of purchase.

PANEL SIZE

300

GLASS DESIGN

CLEAR
MODESTY

FRAME COLOUR

WHITE
SILVER

Prior to installation, carefully unwrap the product; ensuring it is placed on a clean surface to reduce the risk of scratching the finish.

Inspect the product for transit damage; all such damage must be reported within 3 days of receipt to the supplier.

INSTALLATION

The following text is to be read in conjunction with the pictorial diagrams and the instructions supplied with the door [and side panel if applicable to your installation].
Note: Two people may be required to lift this enclosure.

1 Tools required.

2 Check contents and familiarise yourself with the items supplied. Please note that the wall post (D) supplied in this kit replaces one of the wall posts supplied in the door pack.
Note: To make an 1100 enclosure, a cubicle/in-line extension kit is required.

3 Select the side of door you wish the in-line panel to be fitted. Push the wall post (D) fully home onto the in-line panel (C) and the in-line panel onto the door. Continue to assemble the enclosure following the relevant instruction sheet.
Note: If fitting a pivot door it is advisable to ensure that the pivot point of the door is next to the wall (see side panel instructions).

DO NOT DRILL ANY HOLES AT THIS STAGE.

3A The extension posts (H) and (J) are designed as a clip fit and are to be fitted to the door and in-line panel verticals prior to the wall posts.
Note: See sealing instructions in extension kit.

4 To prevent marking the tray when moving the enclosure about its surface, tape a layer of paper on top of the shower base.

Place the enclosure onto the tray and follow the instructions for alignment and marking fixing holes on the instruction sheet relevant to your application.

Remove the enclosure leaving the wall posts in place, unless fitting a side panel.

Remove the protective paper (if used) from the tray.

Attach the wallpost to the wall using screws applicable for your wall fixings (not supplied), ensuring that the head of the screw is not bigger than the flange of the wall post, otherwise it will prevent the correct fitting of the concealed fixing cover. It is recommended that a small bead of silicone sealant is applied behind the head of each screw before tightening to prevent water ingress.

5 Reposition the enclosure on the shower tray, ensuring that it is centralised between the wall posts [and corner post if applicable].

If necessary, the width of the enclosure can be increased by moving the wall post [and the corner post if applicable] outwards from the in-line panel (C) and the door, ensuring that there is enough overlap for the fixing screws to secure the wall posts [and the corner post if applicable] to the enclosure.

To secure the in-line panel (C) to the wall post (D), drill four holes with a 2.8mm drill bit through the wall post, using the vee groove as a guide, in line with the screws which fasten the wall posts to the wall.

Fasten with the No.6 x 3/8" screws (E) and plastic washers (F) provided.

Drill four holes with a 2.8mm drill bit through the in-line panel, using the vee groove as a guide, in line with the screws in the wall post.

Fasten with the No.6 x 3/8" screws (E) and plastic washers (F) provided.

Secure the rest of the enclosure following the relevant instruction sheet.

6 Clip the concealed fixing covers into position by pushing them firmly over the plastic washers on the wall post and the in-line panel vertical.

If it is necessary to remove the concealed fixing covers, insert a screwdriver between the concealed fixing cover and the wall post or in-line panel and gently prise the cover off.

7 Measure the distance between the inner edges of the wall posts [or the wall post and the corner post on the cubicle enclosure] (dim X) and cut the capping rail (B) to this length.

8 Apply a continuous bead of suitable silicone sealant to the ribbed inner surfaces of the capping rail. Fit the rail to the top of the in-line panel and door (narrowest face to the front of the enclosure). Press firmly into position and temporarily tape in place.

Seal the rest of the enclosure following the instruction sheet supplied with the door [or cubicle enclosure, if applicable]. The masking tape can be removed when all sealant is fully cured.

IMPORTANT

Take care to avoid hidden water pipes and electrical cables when drilling into the wall.
 Seek expert advice on the type of wall fixings applicable to your wall construction and the type of sealant to use in your application.

IN-LINE PANEL (to be used in conjunction with Side Panel and Door instructions)

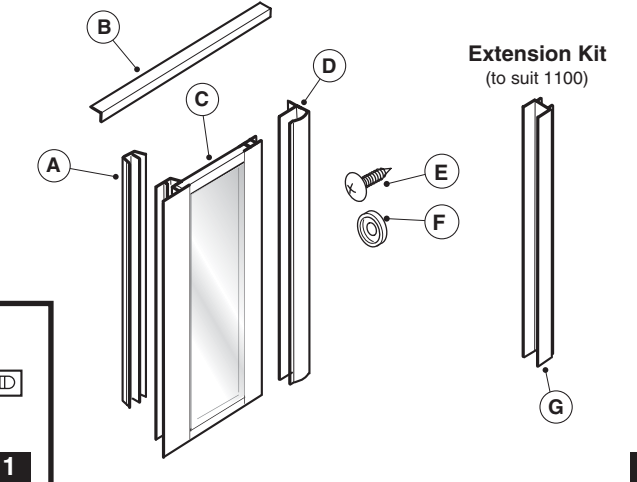
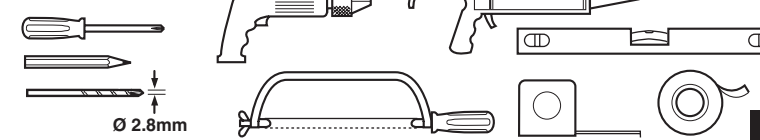
CONTENTS

| REF | DESCRIPTION | QTY |
|-----|--|-----|
| A | IN-LINE PANEL WALL POST CONCEALED FIXING COVER | 1 |
| B | CAPPING RAIL | 1 |
| C | IN-LINE PANEL | 1 |
| D | WALL POST | 1 |
| E | SELF TAPPING SCREW, No.6 x 3/8in. long | 8 |
| F | PLASTIC WASHER | 8 |

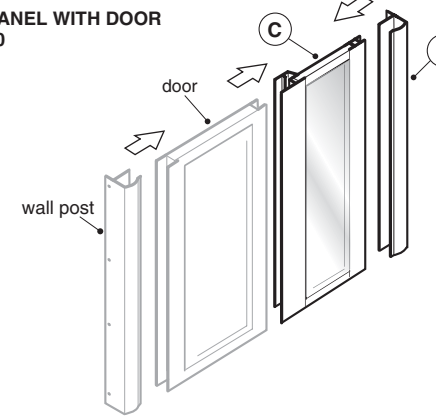
ADDITIONAL EXTENSION PACK (to suit 1100)

| | | |
|---|---------------------------|---|
| G | EXTENSION POST (STANDARD) | 1 |
|---|---------------------------|---|

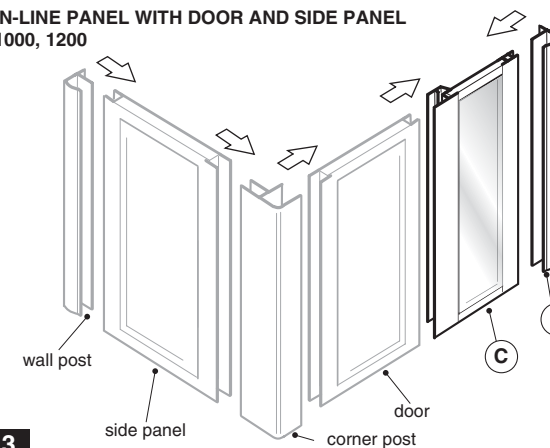
TOOLS REQUIRED



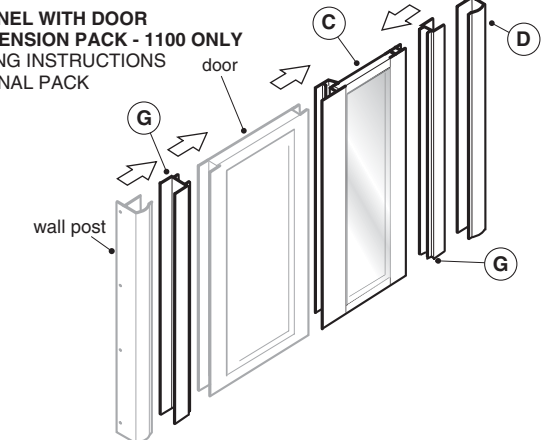
IN-LINE PANEL WITH DOOR 1000, 1200



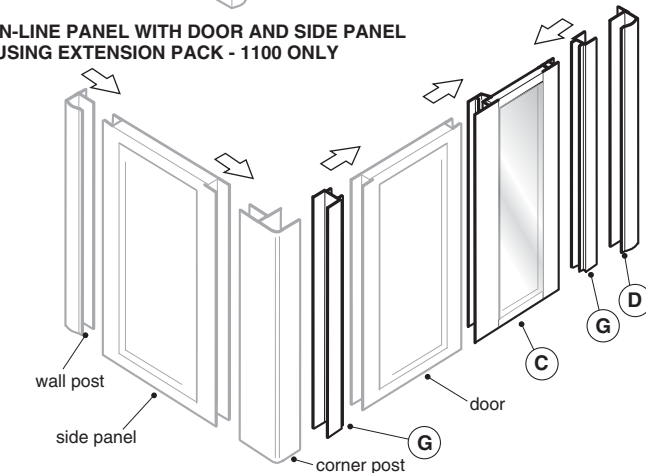
IN-LINE PANEL WITH DOOR AND SIDE PANEL 1000, 1200



IN-LINE PANEL WITH DOOR USING EXTENSION PACK - 1100 ONLY SEE SEALING INSTRUCTIONS IN ADDITIONAL PACK



IN-LINE PANEL WITH DOOR AND SIDE PANEL USING EXTENSION PACK - 1100 ONLY



CARE AND ATTENTION

Clean your enclosure with mild detergent and water promptly after use. This will prevent the build up of limescale.
 NEVER use an abrasive or aggressive cleaner.
 A proprietary glass cleaner can be used if necessary.

TROUBLE SHOOTING

Door does not close square.
 Ensure that the tray is level and 90° to the walls.
 Check that the enclosure is vertical.

Concealed fixing cover will not fit.
 Check that the screw head is not catching the fixing cover.
 Ensure that the fixing cover has not been twisted during fitting.

