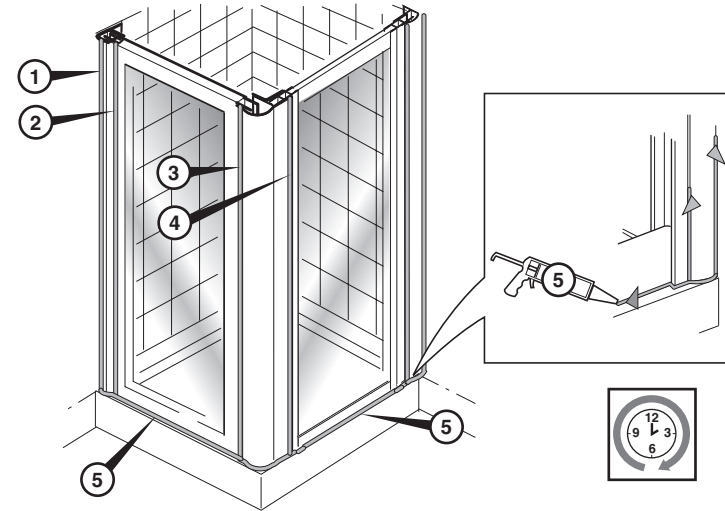
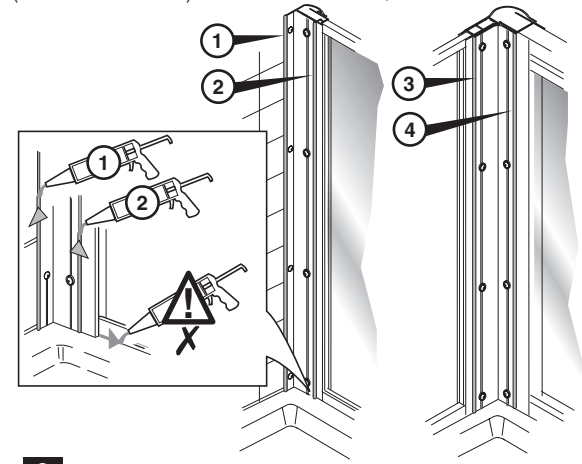


SEALING INSIDE THE ENCLOSURE
(BOTH WALL POSTS)

(CENTRE CORNER POST)

SEALING OUTSIDE THE ENCLOSURE



9

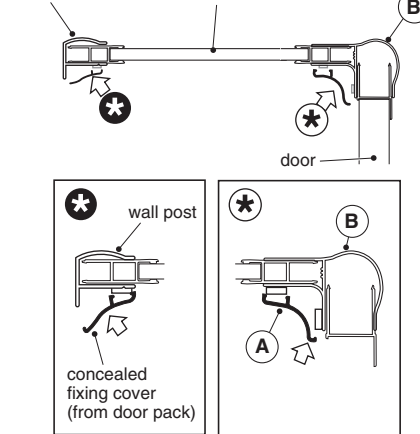
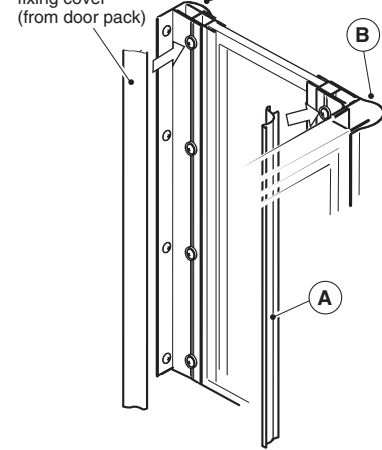
concealed fixing cover
(from door pack)

wall post

wall post

side panel

door



10



SIDE PANEL SHOWER ENCLOSURE

FEATURES

- 1850 TALL
- ADJUSTABLE CORNER POST
- LEFT OR RIGHT HAND ASSEMBLY
- FOR USE WITH MOST SHOWER DOORS
- APPROVED FOR USE WITH POWER SHOWERS
- CONCEALED FIXING COVERS

FULL FITTING INSTRUCTIONS

ALL NOMINAL DIMENSIONS IN MILLIMETRES

Please ensure that these instructions and the instructions supplied with the door, are read thoroughly prior to installation. The manufacturer cannot be held responsible for any problems arising from an incorrectly installed product.

Guarantee Terms and Conditions

The Manufacturers policy is one of continuous development and improvement and accordingly we reserve the right to alter specification without prior notice.

The utmost care has been taken in the manufacture of this product to ensure it gives complete satisfaction. To the best of our knowledge this product was in perfect condition when it left our factory. You are recommended to examine it before installation and check quality, accuracy of the components and quantity of the contents. Customers should note that claims for damage to glass, finish or shortages must be submitted to the vendor before installation. The manufacturer also reserves the right to disallow claims once the product has been installed.

Failure to follow the recommendations set out in these instructions or to install in a manner not approved by the manufacturer may result in all or part of the product guarantee being null or void.

This product is guaranteed by the manufacturer for a period of 10 years from the date of purchase and no other proposal or statement by any other party will supersede or complement this offer. Should any part of it become defective due to faulty manufacture or materials, it will be replaced free of charge (supply only). Any parts supplied will have a guarantee term for the remaining period of the initial product guarantee stated previously. The product is not guaranteed against conditions of use or misuse.

This guarantee does not cover glass breakage however caused, or any fault arising from incorrect installation. Any replacement parts supplied, including assemblies, or completed products, are for DIY installation and no claim can be accepted for any costs however incurred for the installation of the replacement items.

This guarantee is offered as an extra benefit and is in addition to and does not affect your statutory rights. Please retain your receipt as proof of purchase.

PANEL SIZE

- 700
- 760
- 800
- 900

GLASS DESIGN

- CLEAR
- MODESTY

FRAME COLOUR

- WHITE
- SILVER

Prior to installation, carefully unwrap the product; ensuring it is placed on a clean surface to reduce the risk of scratching the finish. Inspect the product for transit damage; all such damage must be reported within 3 days of receipt to the supplier.

INSTALLATION

The following text is to be read in conjunction with the pictorial diagrams and the instructions supplied with the door.
Note: Two people may be required to lift this enclosure.

1 Tools required.

2 Check contents and familiarise yourself with the items supplied. Please note that the wall posts and concealed fixing covers supplied in the door kit are used in conjunction with the side panel.

3 Ensure that a suitable shower base has been installed as per the manufacturers instructions, that it is level and the joint between the tiles and the tray is sealed with a continuous bead of suitable silicone sealant.

Ensure that the walls are tiled and are vertical to the base.

Check the minimum and maximum adjustments of this product correspond to dimensions of the tiled opening.

Note: If necessary, the size of the enclosure may be increased by the addition of an extension kit.

4 Select the side of the door to which you wish to fit the side panel. Form the enclosure by pushing the wall posts (from the door kit) and corner post (B) fully home onto the door and the side panel, ensuring that the pre-drilled flange is facing inside enclosure.

Note: If fitting a pivot door it is advisable to ensure that the pivot point of the door is next to the wall.

4A The extension posts (F) are designed as a clip fit and are to be attached to the door and side panel verticals prior to the wall posts.
Note: See sealing instructions in extension kit.

5 Lift the enclosure onto the tray.
 To prevent marking the tray when moving the enclosure about its surface, tape a layer of paper on top of the shower base.

Ensure that the enclosure is vertical and set back 10mm from the outside edge of the tray.

If necessary, the width of the enclosure can be increased by moving the wall posts and corner post outwards from the side panel and door, ensuring that there is enough overlap for the fixing screws to secure the assembly together.

Hold in place and draw a pencil line down the side of each wall post and mark through the pre-punched holes.

Remove the enclosure with wall posts attached (and extension posts if fitted) from the tray.

6 Drill, at the pre-marked positions and insert wall fixings applicable to your wall type construction (not supplied).

Remove the protective paper (If used) from the shower tray.

Reposition formed enclosure onto the shower tray, using the drawn pencil lines as a guide.

7 Secure the wallposts to the wall using screws applicable for your wall fixings (not supplied), ensuring that the head of the screw is not bigger than the flange of the wall post, otherwise it will prevent the correct fitting of the concealed fixing cover (A).

It is recommended that a small bead of silicone sealant is applied behind the head of each screw before tightening to prevent water ingress.

8 Position the door and the side panel, ensuring that they are centralised between both the wall post and the corner post and that the door is equally spaced and square within the outer frame.

To secure the side panel (C) and door to the wall posts, drill four holes with a 2.8mm drill bit through each wall post, using the vee groove as a guide, in line with the four screws which fasten the wall post to the wall.

Fasten with the No.6 x 3/8in. screws (D) and plastic washers (E) provided.

Drill four holes in each of the inside faces of the corner post (B) using the vee groove in each face as a guide, in line with the screws securing the panel to the wall posts.

Fasten the corner post to the side panel and the door assembly using the plastic washers (E) and No.6 x 3/8in. screws (D).

Check the operation of the door and adjust as necessary according to the instructions supplied with the door.

9 It is important that the shower enclosure is sealed properly and carefully to allow any water to flow back INTO the shower tray at the correct places. All surfaces must be clean and dry before the application of sealant.

INSIDE THE ENCLOSURE

1 Apply a continuous bead of silicone sealant from bottom to top between the wall post and the wall.

2 Apply a continuous bead of silicone sealant from bottom to top between the wall post and the frame.

3 Apply a continuous bead of silicone sealant from bottom to top between the frame of the side panel and the corner post.

4 Apply a continuous bead of silicone sealant from bottom to top between the frame of the door and the corner post.

DO NOT SEAL ALONG THE BOTTOM OF THE INSIDE OF THE FRAME WHERE IT SITS ON THE SHOWER TRAY as this will prevent any water from draining into the tray.

IMPORTANT

Take care to avoid hidden water pipes and electrical cables when drilling into the wall.
 Seek expert advice on the type of wall fixings applicable to your wall construction and the type of sealant to use in your application.

OUTSIDE THE ENCLOSURE

1 Apply a continuous bead of silicone sealant from bottom to top between the wall post and the wall.

2 Apply a continuous bead of silicone sealant from bottom to top between the wall post and the frame.

3 Apply a continuous bead of silicone sealant from bottom to top between the frame of the side panel and the corner post.

4 Apply a continuous bead of silicone sealant from bottom to top between the frame of the door and the corner post.

5 Apply a continuous bead of silicone sealant the full width from wall to wall along the bottom of the enclosure where it sits on the tray to prevent water seeping outside the enclosure. Ensure that there are no gaps left where the sealant is applied.

Allow 24 hours for the silicone sealant to fully cure before use.

10 Clip the wall post concealed fixing covers (originally supplied with the door) into position by pushing them firmly over the plastic washers on the wall posts. Similarly, clip the corner post concealed fixing cover (A) over the plastic washers on the corner post, taking care to fit it the correct way round.

CARE AND ATTENTION

Clean your enclosure with mild detergent and water promptly after use. This will prevent the build up of limescale.
 NEVER use an abrasive or aggressive cleaner.
 A proprietary glass cleaner can be used if necessary.

TROUBLE SHOOTING

Door does not close square.

Ensure that the tray is level and 90° to the walls. Check that the enclosure is vertical.

Concealed fixing cover will not fit.

Check that the screw head is not catching the fixing cover.
 Ensure that the fixing cover has not been twisted during fitting.

CONTENTS

REF	DESCRIPTION	QTY
A	CORNER POST CONCEALED FIXING COVER	1
B	CORNER POST	1
C	SIDE PANEL	1
D	SELF TAPPING SCREWS x No 6 x 3/8" LONG	8
E	PLASTIC WASHERS	8
ADDITIONAL EXTENSION KIT		
F	EXTENSION POST (STANDARD)	2

TOOLS REQUIRED

