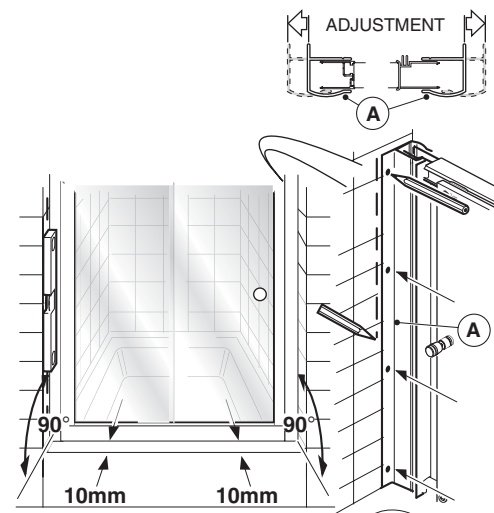
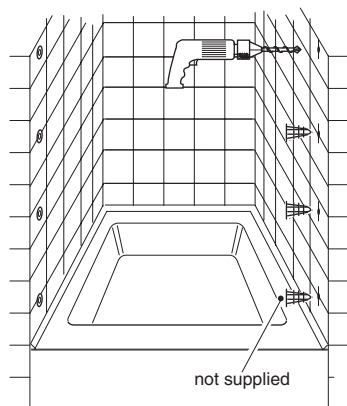


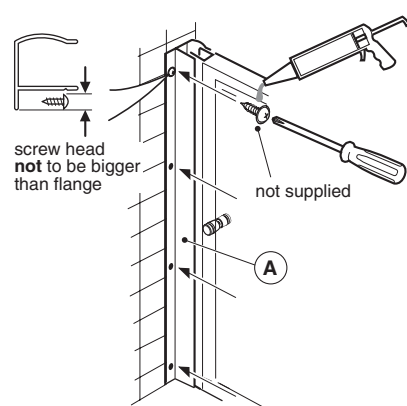
11



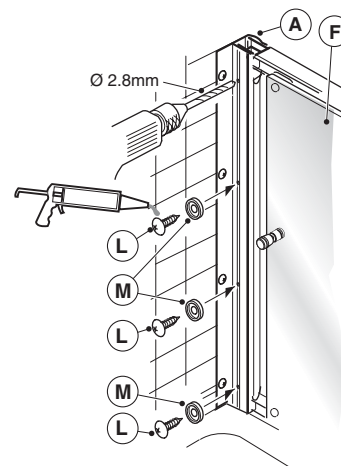
12



13

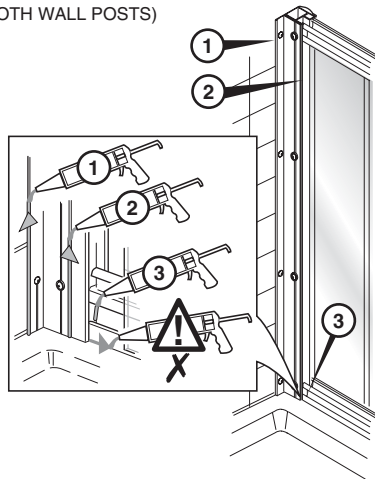


14

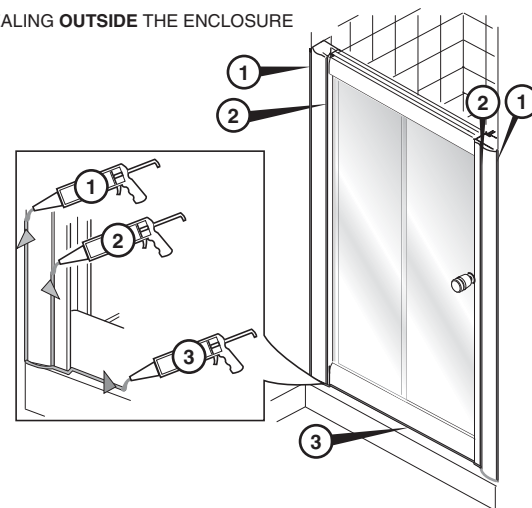


15

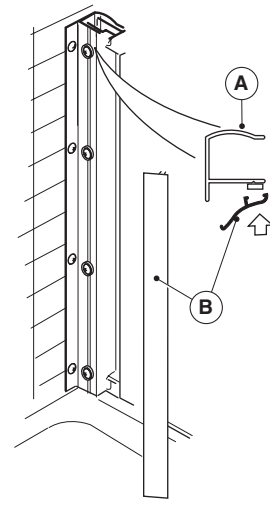
SEALING INSIDE THE ENCLOSURE (BOTH WALL POSTS)



SEALING OUTSIDE THE ENCLOSURE



16



17

CARE AND ATTENTION

Clean your enclosure with mild detergent and water promptly after use. This will prevent the build up of limescale.
NEVER use an abrasive or aggressive cleaner.
A proprietary glass cleaner can be used if necessary.

SINGLE SLIDER SHOWER ENCLOSURE

FEATURES

- 1850 TALL
- ADJUSTABLE WALL POSTS
- LEFT OR RIGHT HAND OPENING
- SMOOTH ROLLER BEARING ACTION OFFERING MAXIMUM ENTRY
- APPROVED FOR USE WITH POWER SHOWERS
- CONCEALED FIXING COVERS

FULL FITTING INSTRUCTIONS

ALL NOMINAL DIMENSIONS IN MILLIMETRES

Please ensure that these instructions are read thoroughly prior to installation. The manufacturer cannot be held responsible for any problems arising from an incorrectly installed product.

Guarantee Terms and Conditions

The Manufacturers policy is one of continuous development and improvement and accordingly we reserve the right to alter specification without prior notice.

The utmost care has been taken in the manufacture of this product to ensure it gives complete satisfaction. To the best of our knowledge this product was in perfect condition when it left our factory. You are recommended to examine it before installation and check quality, accuracy of the components and quantity of the contents. Customers should note that claims for damage to glass, finish or shortages must be submitted to the vendor before installation. The manufacturer also reserves the right to disallow claims once the product has been installed.

Failure to follow the recommendations set out in these instructions or to install in a manner not approved by the manufacturer may result in all or part of the product guarantee being null or void.

This product is guaranteed by the manufacturer for a period of 10 years from the date of purchase and no other proposal or statement by any other party will supersede or complement this offer. Should any part of it become defective due to faulty manufacture or materials, it will be replaced free of charge (supply only). Any parts supplied will have a guarantee term for the remaining period of the initial product guarantee stated previously. The product is not guaranteed against conditions of use or misuse.

This guarantee does not cover glass breakage however caused, or any fault arising from incorrect installation. Any replacement parts supplied, including assemblies, or completed products, are for DIY installation and no claim can be accepted for any costs however incurred for the installation of the replacement items.

This guarantee is offered as an extra benefit and is in addition to and does not affect your statutory rights. Please retain your receipt as proof of purchase.

DOOR SIZE

1000
1200

GLASS DESIGN

CLEAR
MODESTY

FRAME COLOUR

WHITE
SILVER

DOOR ADJUSTMENT

1000 955-995mm
1200 1155-1195mm

Prior to installation, carefully unwrap the product; ensuring it is placed on a clean surface to reduce the risk of scratching the finish. Inspect the product for transit damage; all such damage must be reported within 3 days of receipt to the supplier.

INSTALLATION

The following text is to be read in conjunction with the pictorial diagrams.

- Tools required.
- Check contents and familiarise yourself with the items supplied.
- Ensure that a suitable shower base has been installed as per the manufacturer's instructions, that it is level and the joint between the tiles and the tray is sealed with a continuous bead of suitable silicone sealant. Ensure that the walls are tiled and are vertical to the base. Check that the minimum and maximum adjustments of this product correspond to the dimensions of the tiled opening.
- Select left or right hand opening of the door. This can be achieved by rotating the fixed side panel (C) through 180°, making sure that the flat faces of the top and bottom frame of the fixed panel face the inside of the enclosure. Firmly push the shorter interlock seal (H1) onto the open edge of the fixed panel, with the blade towards the inside of the enclosure.

If space permits, it is easier if the enclosure is assembled laid out face downwards on a protective surface.

- Ensure that the flat faces of the top and bottom frame of the fixed panel (C) face the inside of the enclosure. Tap the long rubber buffers (X) into the top and bottom tracks (D) at the fixed panel end. Generously coat the top and bottom edges of the fixed panel (C) with silicone sealant. Place one track (D) onto the bottom of the fixed panel, push firmly into position and fix using two No.6 x 1-1/4" screws (J) through the pre-drilled holes. Insert one No.6 x 1" screw (K) through the side panel vertical into the bottom track. Repeat this procedure for the top track. Apply a bead of silicone sealant to the backs of the two end caps (N) and push them into the open ends of the fixed panel frame.

Slide one bearing (S) into each track and push it up to the buffer stop, ensuring that the pivot holes in the bearings face the correct way (at the top in the top track and at the bottom in the lower track).

Push the longer interlock seal (H2) onto the edge of the door opposite the hole for the door handle, with the blade facing the fixed panel, towards the outside of the enclosure.

Ensure that the glass door (F) is facing the correct way, with the interlock seal facing towards the interlock seal on the fixed panel. At the end of the glass door opposite the interlock seal, insert a plastic bush (T) from the inside into the top corner hole in the door. Place one plastic base washer (M) onto a screw (V). Push the screw through the plastic bush (T) in the glass into a bearing (S) and tighten the assembly. **DO NOT OVERTIGHTEN.**

When the bearing is fitted, push a cover cap (U) over the plastic base washer to cover the screw head. Repeat this procedure to fit the second bearing assembly to the bottom corner of the door, at the same side. Adjacent to the interlock seal on the door, insert a plastic bush (T) from the inside into the top corner hole in the door. Place one plastic base washer (M) onto a screw

(V). Push the screw through the plastic bush (T). **DO NOT FIT THE BEARING AT THIS STAGE.** Repeat this procedure to fit the second assembly to the bottom corner of the door (without fitting the bearing).

Lay the glass door (F) over the assembled frame and, guiding the fitted bearings into the top and bottom tracks, carefully slide the door along towards the fitted panel until the interlock seal on the door passes over the interlock seal on the fixed panel. Slide the loose bearings (S) previously inserted in each track (Stage 6) to align with the bushes and screws in the glass door (adjacent to the interlock seal on the door). Tighten the screws into the bearing and push on a plastic cover cap (U).

Check that the interlock seals engage correctly, so that when the glass door is pushed into the fully closed position it connects with the seal on the fixed panel.

Tap the short rubber buffers (W) into the top and bottom tracks at the open ends.

Secure the panel vertical (E) to the open end of the frame with the remaining two No.6 x 1" screws (K). Place one plastic washer (Q) onto the threaded rod of the door handle (R) and insert the rod through the hole in the door glass. Slide the second washer (Q) onto the threaded rod and screw on the second door handle (P). **DO NOT OVERTIGHTEN.**

The 'O' rings (O) may be pushed onto the door handles if required.

Stand the enclosure the correct way up. Push the closing edge seal (G) firmly into the channel in the panel vertical (E), ensuring that it is the correct way round (with the bubble facing the inside of the enclosure). The seal is a 'click' fit.

Push one wall post (A) firmly onto the fixed panel side (C) and the other wall post onto the panel vertical (E), ensuring that the holes in the wall posts are facing the inside of the enclosure.

Lift the formed enclosure and place it onto the tray.

To prevent marking the tray when moving the enclosure about its surface, tape a layer of paper on top of the shower tray.

Ensure the enclosure is vertical and set back approximately 10mm from the outside edge of the tray. If necessary, the width of the enclosure can be increased by moving the wall posts outwards from the door assembly, ensuring that there is enough overlap for the fixing screws to secure the wall posts and the door assembly together. Hold in place and draw a pencil line down the side of each wall post and mark through the pre-punched holes. Remove the enclosure, with the wall posts attached.

Drill the wall at the pre-marked positions and insert wall fixings (not supplied) applicable to your wall type construction. Remove the protective paper (if used) from the shower tray. Reposition the enclosure with the wall posts onto the shower tray, using the drawn pencil lines as a guide.

Attach both wall posts (A) to the wall using screws applicable for your wall fixings, ensuring that the head of the screw is not bigger than the flange of the wall post, otherwise it will prevent the correct fitting of the concealed fixing cover (B). It is recommended that you apply a small bead of silicone sealant behind the head of each screw (T) before tightening to prevent water ingress.

Attach both wall posts (A) to the wall using screws applicable for your wall fixings, ensuring that the head of the screw is not bigger than the flange of the wall post, otherwise it will prevent the correct fitting of the concealed fixing cover (B). It is recommended that you apply a small bead of silicone sealant behind the head of each screw (T) before tightening to prevent water ingress.

IMPORTANT

Take care to avoid hidden water pipes and electrical cables when drilling into the wall. Seek expert advice on the type of wall fixings applicable to your wall construction and the type of sealant to use in your application.

To secure the enclosure to the wall posts, drill four holes with a 2.8mm drill bit through each wall post, using the vee groove as a guide, in line with the screws which fasten the wall posts to the wall.

Fasten with the No.6 x 3/8" screws (J) and plastic washers (K) provided.

It is important that the shower enclosure is sealed properly and carefully to allow any water to flow back INTO the shower tray at the correct places. All surfaces must be clean and dry before the application of sealant.

INSIDE THE ENCLOSURE

1 Apply a continuous bead of silicone sealant from bottom to top between the wall post and the wall

2 Apply a continuous bead of silicone sealant between the wall post and the frame.

3 Apply a small bead of silicone sealant to the frame where the inside of the tracks touch the inside of the wall post.

DO NOT SEAL ALONG THE BOTTOM OF THE INSIDE OF THE FRAME WHERE IT SITS ON THE SHOWER TRAY as this will prevent any water draining back into the tray.

OUTSIDE THE ENCLOSURE

1 Apply a continuous bead of silicone sealant from bottom to top between the wall post and the wall

2 Apply a continuous bead of silicone sealant between the wall post and the frame.

3 Apply a continuous bead of silicone sealant the full width from wall to wall along the bottom of the enclosure where it sits on the tray to prevent water seeping outside the enclosure. Ensure that there are no gaps left where the sealant is applied.

Allow 24 hours for the silicone sealant to fully cure before use.

Clip the concealed covers (B) into position on the wall posts by pushing firmly over the plastic washers.

TROUBLE SHOOTING

Fitting side panels to the tracks; a flush fit cannot be achieved.

- Undo screws through side panel vertical and tighten screws down into horizontal
- Refit side panel vertical screws

Doors do not slide smoothly

- Slacken off each bottom roller bearing screw (S) by a 1/4 turn, checking the door operation after adjusting each screw

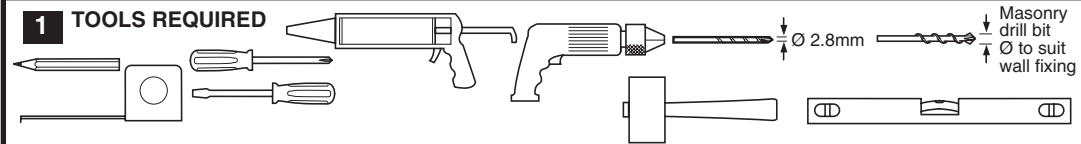
Doors do not close square or securely

- Ensure the tray is level and 90° to the walls
- Check that the enclosure is vertical
- Ensure that no excess silicone or debris is blocking door closure

Concealed fixing covers will not fit

- Check that the fixing covers have not been twisted during fitting
- Ensure that the correct size screw head is used
- Check that the screw is placed in line with the vee groove

1 TOOLS REQUIRED



2 CONTENTS

REF	DESCRIPTION	QTY
<i>FRAME PACK containing:</i>		
A	WALL POST	2
B	CONCEALED FIXING COVER	2
C	FIXED SIDE PANEL	1
D	TRACK	2
E	PANEL VERTICAL	1
<i>DOOR PACK containing:</i>		
F	FLAT DOOR PANEL	1
G	CLOSING EDGE SEAL, bubble	1
H1	INTERLOCK SEAL, short	1
H2	INTERLOCK SEAL	1
<i>FIXINGS PACK containing:</i>		
J	SCREW - No.6 x 1-1/4"	4
K	SCREW - No.6 x 1"	4
L	SCREW - No.6 x 3/8"	12
M	PLASTIC WASHER	12
N	END CAP	2
O	'O' RING, rubber, for door handle	2
P	DOOR HANDLE	2
Q	PLASTIC WASHER	2
R	DOOR HANDLE with threaded rod	2
S	BEARING	4
T	PLASTIC BUSH	4
U	BEARING COVER CAP	4
V	SCREW bearing	4
W	RUBBER BUFFER, short	2
X	RUBBER BUFFER, long	2

