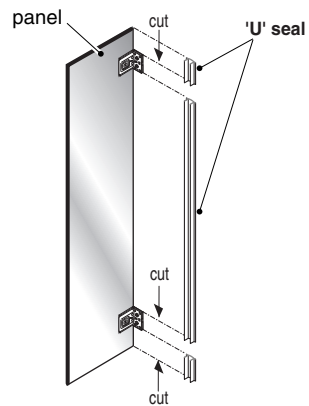


INSTRUCTIONS FOR FITTING THE OPTIONAL 'FIXED PANEL GLASS -TO -WALL' SEALING STRIP.

Before fixing the glass panel to the wall, measure from the top edge of the panel to the top of the upper mounting bracket and cut a piece of sealing strip to this length.

Measure from the bottom of the uppermost bracket down to the top of the lower bracket and cut a piece of sealing strip to this length.

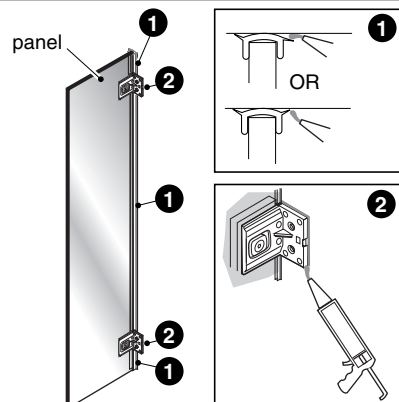
Measure from the bottom of the lower bracket down to the bottom edge of the panel and cut a piece of sealing strip to this length.



Firmly push each length of sealing strip onto the edge of the panel.
Fix the panel to the wall following the main instruction sheet.



If required, carefully apply a thin bead of clear silicone on the inside of the frame either behind the strip (between the wall and the sealing strip) or on top (1).
Apply silicone carefully around the inside edge of the brackets before fitting the covers (2).

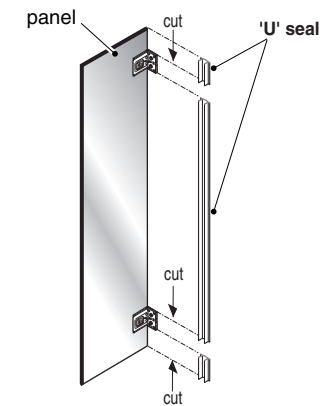


INSTRUCTIONS FOR FITTING THE OPTIONAL 'FIXED PANEL GLASS -TO -WALL' SEALING STRIP.

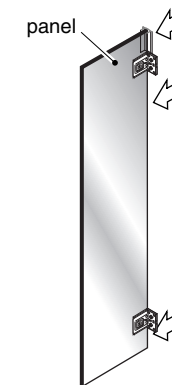
Before fixing the glass panel to the wall, measure from the top edge of the panel to the top of the upper mounting bracket and cut a piece of sealing strip to this length.

Measure from the bottom of the uppermost bracket down to the top of the lower bracket and cut a piece of sealing strip to this length.

Measure from the bottom of the lower bracket down to the bottom edge of the panel and cut a piece of sealing strip to this length.



Firmly push each length of sealing strip onto the edge of the panel.
Fix the panel to the wall following the main instruction sheet.



If required, carefully apply a thin bead of clear silicone on the inside of the frame either behind the strip (between the wall and the sealing strip) or on top (1).
Apply silicone carefully around the inside edge of the brackets before fitting the covers (2).

