

Prior to installation, carefully unwrap the product; ensuring it is placed on a clean surface to reduce the risk of scratching the finish. Inspect the product for transit damage; all such damage must be reported within 3 days of receipt to the supplier.

INSTALLATION

The following text is to be read in conjunction with the pictorial diagrams. It is recommended that another person is available to assist with holding the assembly in place until the panels are fixed in position.

1 Ensure that the showering area has been prepared in an appropriate manner for that purpose and that the floor or shower tray has correct drainage. Check that the base is 90° to the walls.

WALK-IN PANEL

2 Draw a straight line along the base parallel to the wall at the desired position. Using a spirit level and a straight edge of suitable length, draw a perpendicular line up the wall from the line on the base.

Check that the wall bar [WB1] is long enough to reach between the walk-in glass panel and the wall (maximum 900mm). If required, the wall bar can be cut to length.

3 Place two of the 3mm anti-slip shims (A3) onto the base at about 5mm over the pencil line towards the inside of the enclosure and approximately 100mm apart, central to the panel. Check the level across the shims. If the base is not level, it should be levelled using the 1mm and 2mm shims as necessary.

4 Lift the walk-in panel (A) into place with the inside edge against the drawn lines and mark through the holes in the brackets onto the wall.

5 Remove the panel, then drill the wall at the pre-marked positions and insert wall fixings applicable to your wall type construction (not supplied).

6 Replace the panel against the pencil lines. There should be a gap of about 2mm between the glass edge and the wall. Place a 2mm thick piece of packing at the top, check that the panel is at right angles to the base then place a packing piece at the bottom. Attach the panel to the wall using screws applicable to your wall fixings.

It is recommended that you apply a small bead of silicone sealant behind the head of each screw before tightening to prevent water ingress.

7 Remove the packing pieces. Check that the panel sits squarely to the base. If necessary adjustment can be made at each mounting bracket by slackening the fixing screws and carefully turning the hexagon head adjusting screws as required, with an allen key. When satisfied with the adjustment, tighten the fixing screws.

Further adjustment is available by slackening the large hexagon head screw in the glass side of the bracket. Check that the panel is sitting level on the anti-slip shims on the base.

8 Place the cover caps (A1) on the mounting brackets. Secure with the grub screws (A2) using a 2mm allen key.

Trim the visible ends off the shims (A3) on the inside and outside at the bottom of the panel.

SIDE PANEL

If the optional side panel is being installed, carefully mark out the desired position for it allowing sufficient space for access into the formed enclosure. Follow steps 2 to 8 for assembly.

9 Slacken the plastic grub screw (*) in the grooved bracket of the wall bar [WB1] and the metal screw (*) in the end of the collar above it, slide the bracket over the edge of the glass panel approximately 200mm from the open glass edge at the opposite end from the wall post. Position the conical collar against the wall, at 90° to it, making sure that the bar is horizontal. Mark the position for the collar and remove the wall bar from the glass panel.

10 Slacken the metal grub screw in the collar, remove the collar and place it centrally on the marked position on the wall. Mark through the fixing hole in the collar and drill a hole for the wall fixing.

11 Attach the collar to the wall using a suitable screw applicable for your wall fixings (not supplied).

12 If only the walk-in panel is used, insert the open end of the bar into the collar. Replace the grooved bracket of the wall bar over the edge of the glass panel. When the bar is in the correct position, tighten the metal grub screw (*) in each collar, then gently tighten the plastic grub screw (*) in the grooved bracket onto the glass.

If the optional side panel is being used, do not fix the wall bar until later.

13 With the collar removed, insert the wall bar into the adaptor on the side panel bar [WB2] and slide it along up to the required position (approximately half way). Insert the open end of the wall bar into the collar which is attached to the wall and place the grooved bracket of the wall bar over the edge of the glass panel.

14 Slacken the plastic grub screw (*) in the grooved bracket of the side panel bar and the metal screw in the end of the collar above it and slide the bracket over the edge of the side panel to check if it the correct length. Do not force the bar onto the glass. It may be cut to the required length with a hacksaw if required.

When the bar is in the correct position, tighten the metal grub screws (*) in the adaptor and the collars on both bars, then gently tighten the plastic grub screws (*) in each grooved bracket onto the glass.

IMPORTANT

Take care to avoid hidden water pipes and electrical cables when drilling into the wall. Seek expert advice on the type of wall fixings applicable to your wall construction and the type of sealant to use in your application.

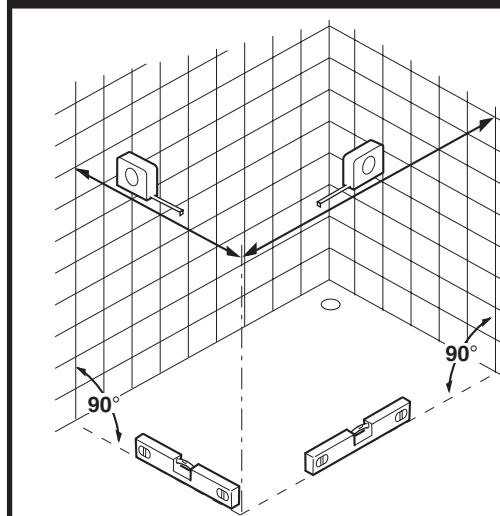
If preferred, the panels can be sealed. It is important that each glass panel is sealed properly and carefully to allow any water to flow back INTO the showering area at the correct places. All surfaces must be clean and dry before the application of sealant.

1 Apply a continuous bead of suitable silicone sealant from bottom to top between each panel and the wall, inside and outside the enclosure.

2 Apply a continuous horizontal bead of silicone sealant from the wall to the end of each glass panel.

Allow 24 hours for silicone to fully cure before use.

PREPARATION



WALK-IN PANEL

