



TOOLS REQUIRED

Masonry drill bit
 Ø to suit wall fixing
 Ø 2.8mm

Allen Keys
 2mm
 2.5mm
 3mm
 4mm
 5mm

CONTENTS

WALK-THROUGH PANEL

REF	DESCRIPTION	QTY
A	WALK-THROUGH GLASS PANEL	1
A1	ANTI-SLIP SHIM, 3mm, 2mm, 1mm	2 each

WALL BAR (2 required)
 (NOT INCLUDED-Purchased separately)

FRAMELESS WALK-THROUGH SHOWER ENCLOSURE

FULL FITTING INSTRUCTIONS FOR INSTALLATION IN A WET ROOM

ALL NOMINAL DIMENSIONS IN MILLIMETRES

Please ensure that these instructions are read thoroughly prior to installation. The manufacturer cannot be held responsible for any problems arising from an incorrectly installed product.

Guarantee Terms and Conditions

The Manufacturers policy is one of continuous development and improvement and accordingly we reserve the right to alter specification without prior notice.

The utmost care has been taken in the manufacture of this product to ensure it gives complete satisfaction. To the best of our knowledge this product was in perfect condition when it left our factory. You are recommended to examine it before installation and check quality, accuracy of the components and quantity of the contents. Customers should note that claims for damage to glass, finish or shortages must be submitted to the vendor before installation. The manufacturer also reserves the right to disallow claims once the product has been installed.

Failure to follow the recommendations set out in these instructions or to install in a manner not approved by the manufacturer may result in all or part of the product guarantee being null or void.

This product is guaranteed by the manufacturer for a period of 10 years from the date of purchase and no other proposal or statement by any other party will supersede or complement this offer. Should any part of it become defective due to faulty manufacture or materials, it will be replaced free of charge (supply only). Any parts supplied will have a guarantee term for the remaining period of the initial product guarantee stated previously. The product is not guaranteed against conditions of use or misuse.

This guarantee does not cover glass breakage however caused, or any fault arising from incorrect installation. Any replacement parts supplied, including assemblies, or completed products, are for DIY installation and no claim can be accepted for any costs however incurred for the installation of the replacement items.

This guarantee is offered as an extra benefit and is in addition to and does not affect your statutory rights. Please retain your receipt as proof of purchase.

Prior to installation, carefully unwrap the product; ensuring it is placed on a clean surface to reduce the risk of scratching the finish. Inspect the product for transit damage; all such damage must be reported within 3 days of receipt to the supplier.

INSTALLATION

The following text is to be read in conjunction with the pictorial diagrams. It is recommended that two persons are available to assist with holding the assembly in place until the panel is fixed in position.

PREPARATION

Ensure that the showering area has been prepared in an appropriate manner for that purpose and that the floor or shower tray has correct drainage.

Ensure that there will be enough access room at either end of the walk-through glass panel when choosing the intended position.

1 WALK-THROUGH PANEL

Check that the wall bar (B) is long enough to reach between the walk-through glass panel at the preferred position and the wall (maximum 1000mm). If required, the wall bar can be cut to length.

Draw a straight line, the length of the walk-through panel (1200mm), along the base parallel to the wall at the desired position.

2 Place two of the 3mm anti-slip shims (A1) onto the base at about 5mm over the pencil line towards the inside of the enclosure and approximately central to the panel. Check the level across the shims. If the base is not level, it should be levelled using the 1mm and 2mm shims as necessary.

3 Mark the desired position of the wall bars along the top of the panel, approximately 150mm from each end of the glass panel. (This could be marked by a piece of tape).

The glass panel has a clear shield sticker on the glass. This should face outside the shower area. With the assistance of at least one other person, lift the walk-through panel (A) into place with the inside edge against the drawn line and hold it in position.

4 Slacken the plastic grub screw (*) in the grooved bracket of the first wall bar (B) and the metal screw (*) in the end of the collar above it, slide the bracket over the edge of the glass panel approximately 150mm from the open glass end. Position the conical collar against the wall, at 90° to it, making sure that the bar is horizontal. Mark the position for the collar on the wall and carefully remove the wall bar from the glass panel.

5 Slacken the metal grub screw in the collar, remove the collar and place it centrally on the marked position on the wall. Mark through the fixing hole in the collar and drill a hole for the wall fixing.

6 Attach the collar to the wall using a suitable screw applicable for your wall fixings (not supplied).

7 Insert the open end of the bar into the collar. Replace the grooved bracket of the wall bar over the edge of the glass panel. When the bar is in the correct position, tighten the metal grub screw (*) in each collar, then gently tighten the plastic grub screw (*) in the grooved bracket onto the glass.

8 Repeat steps 4 to 7 to fit the second wall bar. Trim the visible ends off the shims (A1) on the inside and outside at the bottom of the panel.

9 If required, the panel can be sealed. All surfaces must be clean and dry before the application of sealant.

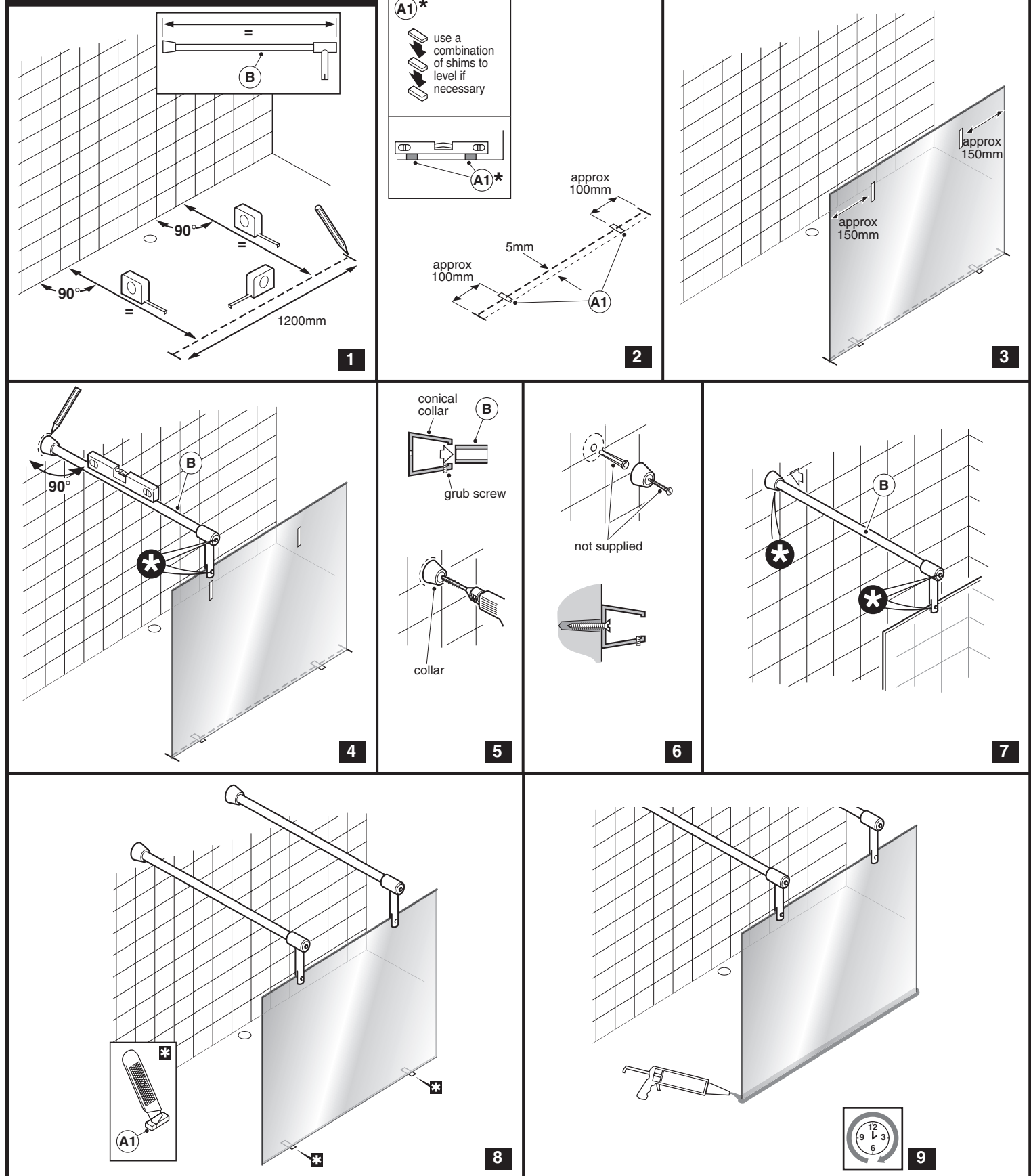
Apply a continuous bead of an appropriate sanitary silicone sealant along the base of the walk-through panel at both sides and round the edges.

Allow 24 hours for silicone to fully cure before use.

IMPORTANT

Take care to avoid hidden water pipes and electrical cables when drilling into the wall. Seek expert advice on the type of wall fixings applicable to your wall construction and the type of sealant to use in your application.

WALK-THROUGH PANEL



CARE AND ATTENTION

Clean your enclosure with mild detergent and water promptly after use. This will prevent the build up of limescale. NEVER use an abrasive or aggressive cleaner. A proprietary glass cleaner can be used if necessary.