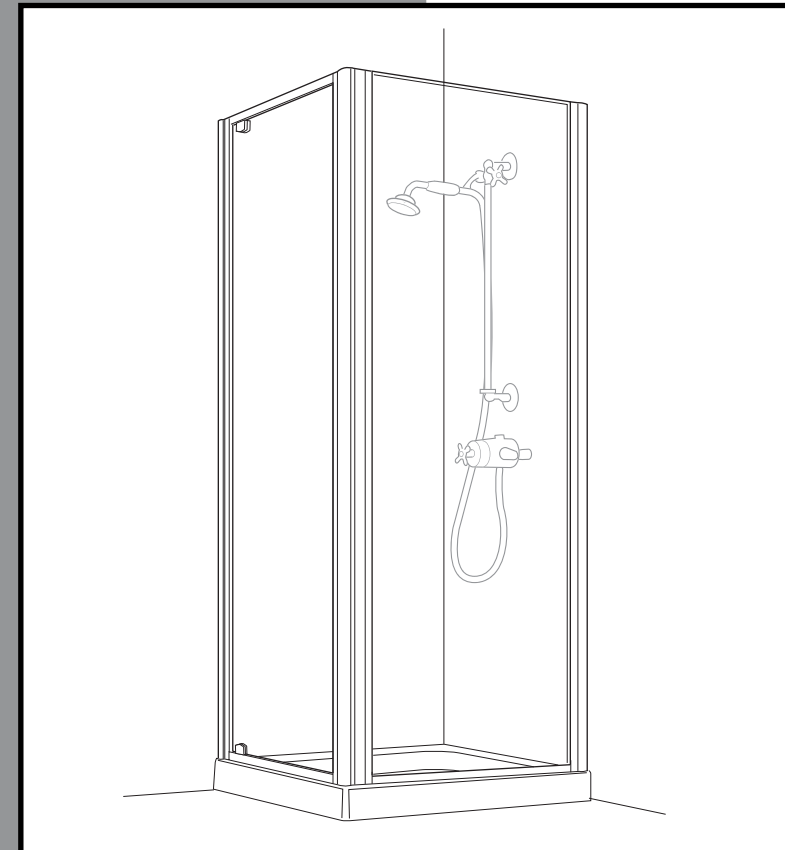
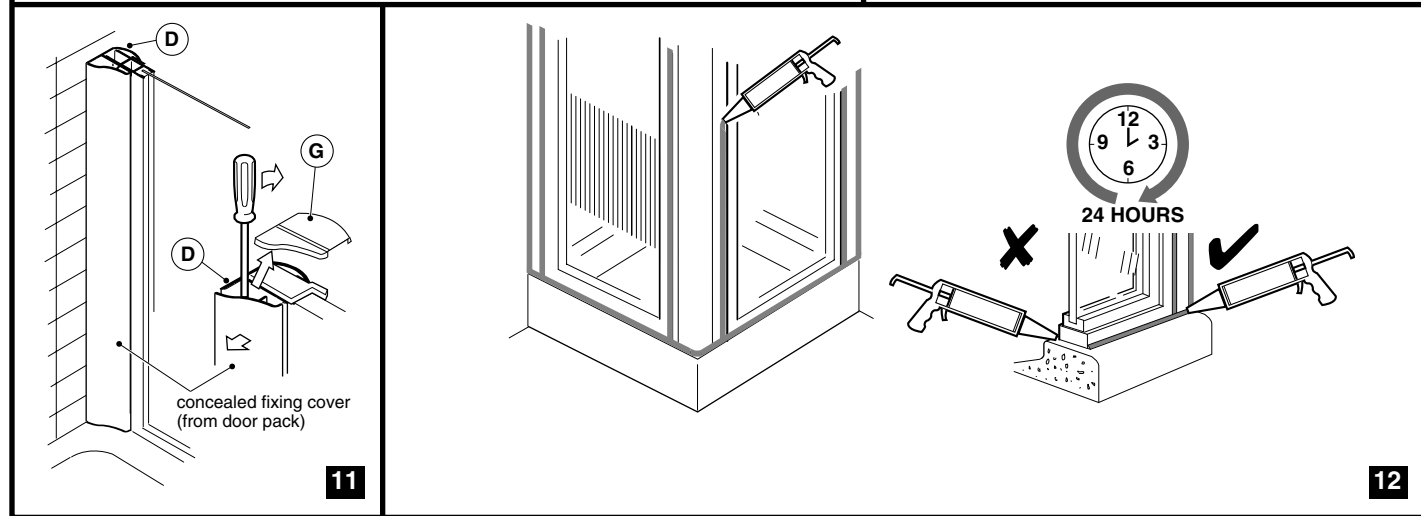
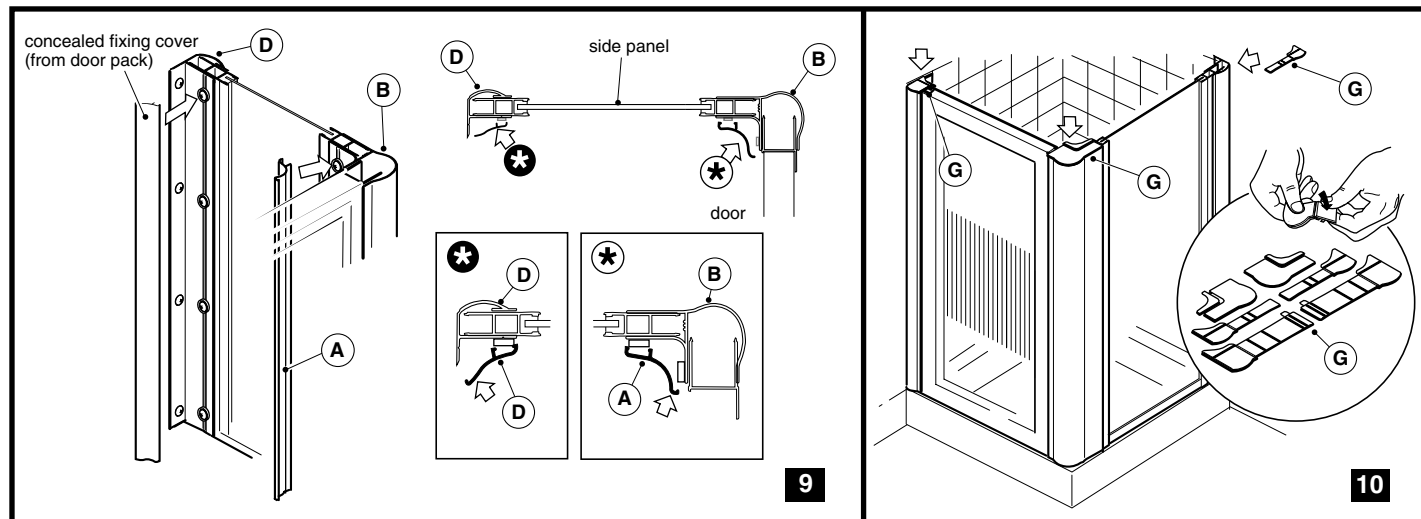


# FRAMELESS SIDE PANEL

CREATE A CUBICLE USING ANY SIZE OF  
DOOR AND SIDE PANEL COMBINATION



PANEL SIZE	
	760
	800
	900
GLASS DESIGN	
	CLEAR
	PLATINUM
FRAME COLOUR	
	WHITE
	POLISHED SILVER
	CHROME

▶ 1850 TALL

▶ ADJUSTABLE WALL AND CORNER POST

▶ LEFT OR RIGHT HAND ASSEMBLY

▶ 5mm TOUGHENED BS SAFETY GLASS

▶ FOR USE WITH FRAMELESS PIVOT DOOR AND SINGLE SLIDER

▶ POWER SHOWER TESTED

▶ COLOUR CO-ORDINATED WALL AND CORNER POST COVER CAPS

▶ CONCEALED FIXING COVERS

**FULL FITTING INSTRUCTIONS ENCLOSED**

ALL NOMINAL DIMENSIONS IN MILLIMETRES

The manufacturer's policy is one of continuous development and improvement and accordingly we reserve the right to change specifications without prior notice.

The utmost care has been taken in the manufacture of the Shower Enclosure to ensure that it gives complete satisfaction. To the best of our knowledge this product was in perfect condition when it left the factory but customers should note that claims for damage to glass, finish or shortages must be submitted to the vendor before installation.

The manufacturer reserves the right to disallow claims once the assembly has been installed. Failure to follow the recommendations set out in these instructions or to install in a manner not approved by the manufacturer may result in all or part of the product guarantee being null and void.

#### 10 YEAR GUARANTEE

This product is covered by a 10 year guarantee. Should any part of it become defective due to faulty materials or manufacture, it will be replaced free of charge (supply only).

This guarantee does not cover glass breakage or any fault arising from incorrect installation. Any replacement parts are for DIY installation and no claim can be accepted for any costs incurred for the installation of the replacement parts.

This guarantee does not affect your statutory rights. Please retain your receipt as dated proof of purchase. We reserve the right to change the specification of our products without prior notice.

#### STOCKIST'S STAMP

Please ensure that these instructions and the instructions supplied with the door are read thoroughly prior to installation. The manufacturer cannot be held responsible for any problems arising from an incorrectly installed product.

**Prior to installation:**

Carefully unwrap the product; ensuring it is placed on a clean surface to reduce the risk of scratching the finish.

Inspect the product for transit damage, all such damage must be reported within 3 days of receipt to the supplier.

**Important.**

Take care to avoid hidden water pipes and electrical cables when drilling into the wall.

Seek expert advice on the type of wall fixings applicable to your wall construction and the type of sealant to use in your application.

**Installation.**

The following text is to be read in conjunction with the pictorial diagrams and the instructions supplied with the door.

Note: Two people may be required to lift this enclosure.

- 1 Tools required.
- 2 Check contents and familiarise yourself with the items supplied. Please note that the wall post (D) supplied in this kit replaces one of the wall posts supplied in the door kit.
- 3 Ensure that a suitable shower base has been installed as per the manufacturers instructions, that it is level and the joint between the tiles and the tray is sealed with a continuous bead of suitable silicone sealant. Ensure that the walls are tiled and are vertical to the base. Check the minimum and maximum adjustments of this product correspond to dimensions of the tiled opening.
- 4 Select side of the door to which you wish to fit the side panel (C). Form the enclosure by pushing the wall posts and corner post (B) fully home onto the door and the side panel, ensuring that the pre-drilled flange is facing inside enclosure. Note: If fitting a pivot door it is advisable to ensure that the pivot point of the door is next to the wall.

- 5 Lift the enclosure onto the tray. To prevent marking the tray when moving the enclosure about its surface, tape a layer of paper on top of the shower base. Ensure that the enclosure is vertical and set back 10mm from the outside edge of the tray. If necessary, the width of the enclosure can be increased by moving the wall posts and corner post outwards from the side panel and door, ensuring that there is enough overlap for the fixing screws to secure the assembly together. Hold in place and draw a pencil line down the side of each wall post and mark through the pre-punched holes. Remove the enclosure, with wall posts attached, from the tray.

- 6 Drill, at the pre-marked positions and insert wall fixings applicable to your wall type construction (not supplied). Remove the protective paper (if used) from the shower tray. Reposition formed enclosure onto the shower tray, using the drawn pencil lines as a guide.

- 7 Secure the wall posts to the wall using screws applicable for your wall fixings (not supplied), ensuring that the head of the screw is not bigger than the flange of the wall post, otherwise it will prevent the correct fitting of the concealed fixing cover. It is recommended that a small bead of silicone sealant is applied behind the head of each screw before tightening to prevent water ingress.

- 8 Position the door and the side panel, ensuring that they are centralised between both the wall posts and the corner post and that the door is equally spaced and square within the outer frame. To secure the side panel (C) and door to the wall posts, drill four holes with a 2.8mm drill bit through each wall post, using the vee groove as a guide, in line with the four screws which fasten the wall posts to the wall. Fasten with the No.6 x 3/8in. screws (E) and plastic washers (F) provided. Drill four holes in each of the inside faces of the corner post (B) using the vee groove in each face as a guide, in line with the screws securing the panel to the wall posts. Fasten the corner post to the side panel and the door assembly using the plastic washers (F) and No.6 x 3/8in. screws (G). Check the operation of the door and adjust as necessary according to the instructions supplied with the door.

- 9 Clip the wall post concealed fixing covers into position by pushing them firmly over the plastic washers on the wall posts. Similarly, clip the corner post concealed fixing cover (A) over the plastic washers on the corner post, taking care to fit it the correct way round.

- 10 Select the required cover caps (G) and push them into position on top of the enclosure (see separate instructions).

- 11 If it is necessary to remove the concealed fixing covers, carefully remove the cover caps (G) from the wall posts or corner post. Insert a screwdriver between the concealed fixing cover and the wall post or corner post and gently prise the cover off.

- 12 Seal the enclosure using a suitable silicone sealant to all internal and external vertical joints and the external horizontal only. **Caution: DO NOT seal the internal horizontal, to allow correct drainage back into the tray. Allow 24 hours for silicone to fully cure before use.**

Finishing touch - fit the self adhesive badge.

**Care and attention.**

Clean your enclosure with mild detergent and water promptly after use. This will prevent the build up of limescale. NEVER use an abrasive or aggressive cleaner. A proprietary glass cleaner can be used if necessary.

**TROUBLE SHOOTING**

**Door does not close square.**  
Ensure the tray is level and 90° to the walls. Check that the enclosure is vertical.

**Concealed fixing cover will not fit.**  
Check that the screw head is not catching the fixing cover. Ensure the fixing cover has not been twisted during fitting.

**FRAMELESS SIDE PANEL**

**CONTENTS**

REF	DESCRIPTION	QTY
A	CORNER POST CONCEALED FIXING COVER	1
B	CORNER POST	1
C	SIDE PANEL	1
D	SIDE PANEL WALL POST	1
E	SELF TAPPING SCREWS x No 6 x 3/8" LONG	8
F	PLASTIC WASHERS	8
G	PLASTIC COVER CAPS	1 set

**TOOLS REQUIRED**

