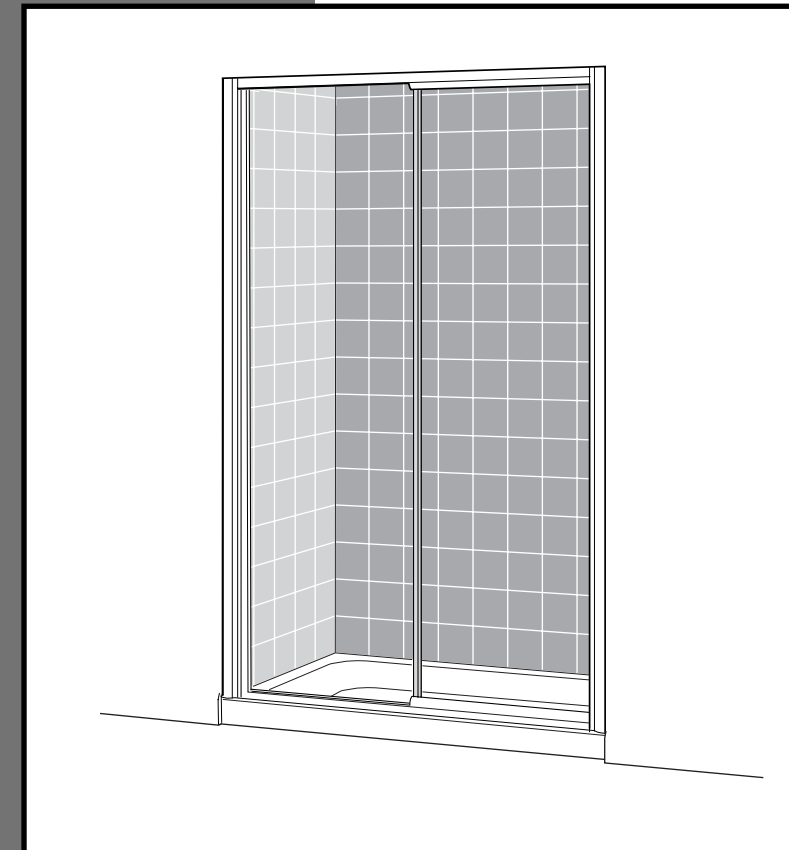
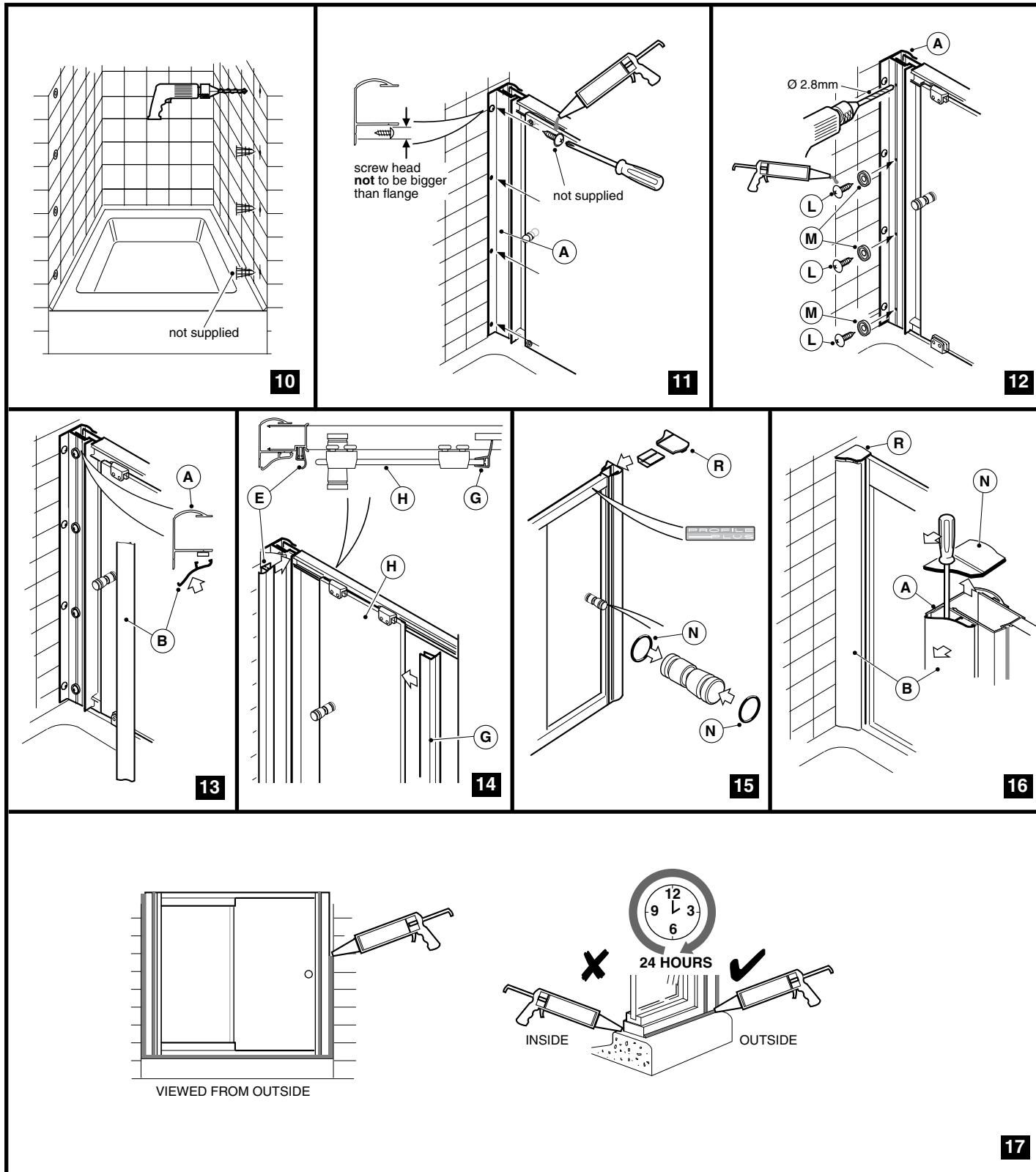


FRAMELESS SINGLE SLIDER

THE PERFECT WAY TO ACHIEVE A 1200mm
SHOWERING AREA



DOOR SIZE	1200
GLASS DESIGN	CLEAR PLATINUM
FRAME COLOUR	WHITE POLISHED SILVER CHROME
DOOR ADJUSTMENT	1164 - 1204mm

- ▶ 1850 TALL
- ▶ ADJUSTABLE WALL POSTS
- ▶ LEFT OR RIGHT HAND OPENING
- ▶ SMOOTH ROLLER BEARING ACTION OFFERING MAXIMUM ENTRY
- ▶ POWER SHOWER TESTED
- ▶ COLOUR CO-ORDINATED WALL POST COVER CAPS
- ▶ CONCEALED FIXING COVERS

The manufacturer's policy is one of continuous development and improvement and accordingly we reserve the right to change specifications without prior notice.
The utmost care has been taken in the manufacture of the Shower Enclosure to ensure that it gives complete satisfaction. To the best of our knowledge this product was in perfect condition when it left the factory but customers should note that claims for damage to glass, finish or shortages must be submitted to the vendor before installation.
The manufacturer reserves the right to disallow claims once the assembly has been installed. Failure to follow the recommendations set out in these instructions or to install in a manner not approved by the manufacturer may result in all or part of the product guarantee being null and void.

<p>10 YEAR GUARANTEE</p> <p>This product is covered by a 10 year guarantee. Should any part of it become defective due to faulty materials or manufacture, it will be replaced free of charge (supply only).</p> <p>This guarantee does not cover glass breakage or any fault arising from incorrect installation. Any replacement parts are for DIY installation and no claim can be accepted for any costs incurred for the installation of the replacement parts.</p> <p>This guarantee does not affect your statutory rights. Please retain your receipt as dated proof of purchase. We reserve the right to change the specification of our products without prior notice.</p>	<p>STOCKIST'S STAMP</p> <div style="border: 1px solid black; height: 100px; width: 100%;"></div>
--	---

FULL FITTING INSTRUCTIONS ENCLOSED
ALL NOMINAL DIMENSIONS IN MILLIMETRES

Please ensure that these instructions are read thoroughly prior to installation. The manufacturer cannot be held responsible for any problems arising from an incorrectly installed product.

Note:

This is a quality heavy product. For certain operations, assistance may be required.

Prior to installation:

Carefully unwrap the product; ensuring it is placed on a clean surface to reduce the risk of scratching the finish.

Inspect the product for transit damage, all such damage must be reported within 3 days of receipt to the supplier.

Important.

Take care to avoid hidden water pipes and electrical cables when drilling into the wall.

Seek expert advice on:

the type of wall fixings applicable to your wall construction and the type of sealant to use in your application.

As with all toughened glass, handle the panels with extreme care avoiding any knocks to the unprotected edges.

Installation

The following text is to be read in conjunction with the pictorial diagrams.

- 1** Tools required.
- 2** Check contents and familiarise yourself with the items supplied.
- 3** Ensure that a suitable shower base has been installed as per the manufacturer's instructions, that it is level and the joint between the tiles and the tray is sealed with a continuous bead of suitable silicone sealant. Ensure that the walls are tiled and are vertical to the base. Check that the minimum and maximum adjustments of this product correspond to the dimensions of the tiled opening.
- 4** Select left or right hand opening of the door (H). This can be achieved by rotating the fixed side panel (C) through 180 degrees.
- 5** Place one plastic base washer (Q) onto the threaded rod of the door handle (P) and insert the rod through the hole in the glass of the door. Slide the second washer (Q) onto the threaded rod and screw on the second door handle (O).
DO NOT OVERTIGHTEN.
If the rubber 'O' rings (N) are being fitted, this can be done at the final stage.
- 6** If space permits, it is easier if the enclosure is assembled laid out on a protective surface. Generously coat the top and bottom edges of the fixed panel (C) with silicone sealant. Place one track (D) onto the bottom of the fixed panel, push firmly into position and fix using No.6 x 1-1/4" screws (J) through the pre-drilled holes, two in the bottom and one in the side through the side panel vertical. Repeat this procedure for the top track.
- 7** Ensure that the door handles are on the side furthest from the fixed panel. Lift the door and slide the roller bearings into the top and bottom tracks. Slide the door until it passes over the fixed panel. Tap the small end stops (K) into the top and bottom tracks. Secure the panel vertical (F) to the open end of the frame with the remaining two No.6 x 1-1/4" screws.
- 8** Stand the enclosure the correct way up. Push the wall posts (A) firmly onto the fixed panel sides (C), ensuring that the holes in the wall posts are facing the inside of the enclosure.
- 9** Lift the formed enclosure and place it onto the tray.
To prevent marking the tray when moving the enclosure about its surface, tape a layer of paper on top of the shower tray.
Ensure the enclosure is vertical and set back approximately 10mm from the outside edge of the tray.
If necessary, the width of the enclosure can be increased by moving the wall posts outwards from the door assembly, ensuring that there is enough overlap for the fixing screws to secure the wall posts and the door assembly together.
Hold in place and draw a pencil line down the side of each wall post and mark through the pre-punched holes.
Remove the enclosure.

- 10** Drill the wall at the pre-marked positions and insert wall fixings (not supplied) applicable to your wall type construction. Remove the protective paper (if used) from the shower tray. Reposition the enclosure with the wall posts onto the shower tray, using the drawn pencil lines as a guide.
- 11** Attach both wall posts (A) to the wall using screws applicable for your wall fixings, ensuring that the head of the screw is not bigger than the flange of the wall post, otherwise it will prevent the correct fitting of the concealed fixing cover (B). It is recommended that you apply a small bead of silicone sealant behind the head of each screw before tightening to prevent water ingress.
- 12** To secure the enclosure to the wall posts, drill four holes with a 2.8mm drill bit through each wall post, using the vee groove as a guide, in line with the screws which fasten the wall posts to the wall.
Fasten with the No.6 x 3/8" screws (L) and plastic washers (M) provided.
- 13** Clip the concealed fixing covers (B) into position by pushing firmly over the plastic washers.
- 14** Firmly push the soft door close seal (E) onto the panel vertical (F).
Push the door seal (G) onto the door on the side opposite to the soft door close seal (E), ensuring that the blade of the seal faces the glass in the fixed panel.
Check the operation of the door.
- 15** Push the cover caps (R) into position on the top of the enclosure (see separate instructions) and, if desired, push the rubber 'O' rings (N) onto the door knobs.
Finishing touch - fit the self adhesive badge.
- 16** If it is necessary to remove the concealed fixing covers, carefully remove the cover caps (R) from the wall posts. Insert a screwdriver between the concealed fixing cover and the wall post and gently prise the cover off.
- 17** Clean all sealing points and allow to dry. Seal using a suitable silicone sealant on all internal and external vertical joints and the **external horizontal joint only**.

Caution:
DO NOT seal the internal horizontal, to allow correct drainage back into the tray.
Allow 24 hours for silicone to fully cure before use.

Care and attention.

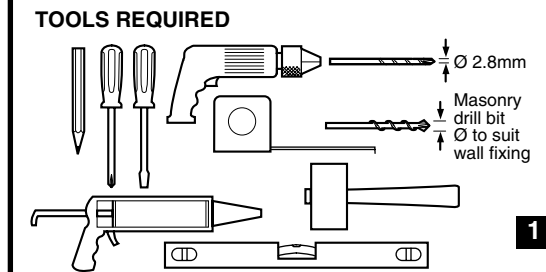
Clean your enclosure with mild detergent and water promptly after use. This will prevent the build up of limescale.
NEVER use an abrasive or aggressive cleaner.
A proprietary glass cleaner can be used if necessary.
After long term use, lubricate rollers with white petroleum jelly.
After extreme use, the doors may be removed to allow access to the rollers and track for cleaning.

TROUBLE SHOOTING

Fitting side panel to the tracks; a flush fit cannot be achieved
Undo screws through side panel vertical and tighten screws down into horizontal
Refit side panel vertical screws
Doors do not slide smoothly
Slacken off each bottom roller bearing screw by a 1/4 turn, checking the door operation after adjusting each screw
Doors do not close square or securely
Ensure the tray is level and 90° to the walls
Check that the enclosure is vertical
Concealed fixing cover will not fit
Check that the screw head is not catching the fixing cover
Ensure the fixing cover has not been twisted during fitting

CONTENTS

REF	DESCRIPTION	QTY
<i>FRAME PACK containing:</i>		
A	WALL POST	2
B	CONCEALED FIXING COVER	2
C	FIXED SIDE PANEL	1
D	TRACK long end stops fitted	2
E	'SOFT' DOOR CLOSE SEAL 1850mm long	1
F	PANEL VERTICAL	1
<i>DOOR PACK containing:</i>		
G	DOOR SEAL	1
H	FLAT DOOR PANEL	1
<i>FIXINGS PACK containing:</i>		
J	SCREW - No.6 x 1-1/4"	8
K	END STOP small	2
L	SCREW - No.6 x 3/8"	4
M	PLASTIC WASHER	4
N	'O' RING for door handle	2
O	DOOR HANDLE	1
P	DOOR HANDLE with threaded rod	1
Q	PLASTIC WASHER	2
R	COVER CAPS	1 set



FIXINGS PACK

