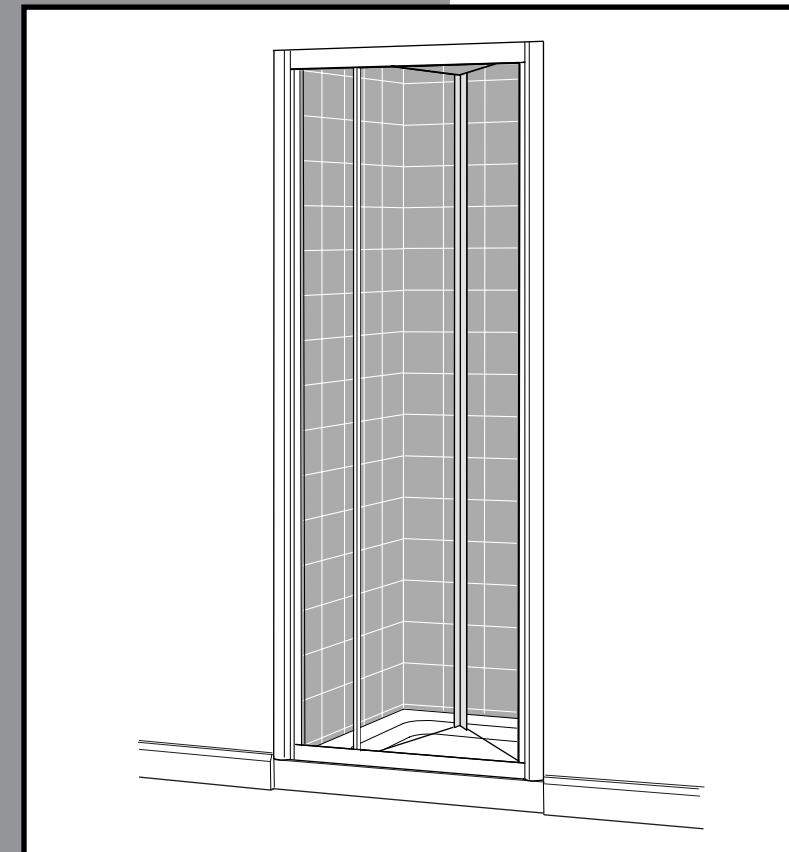
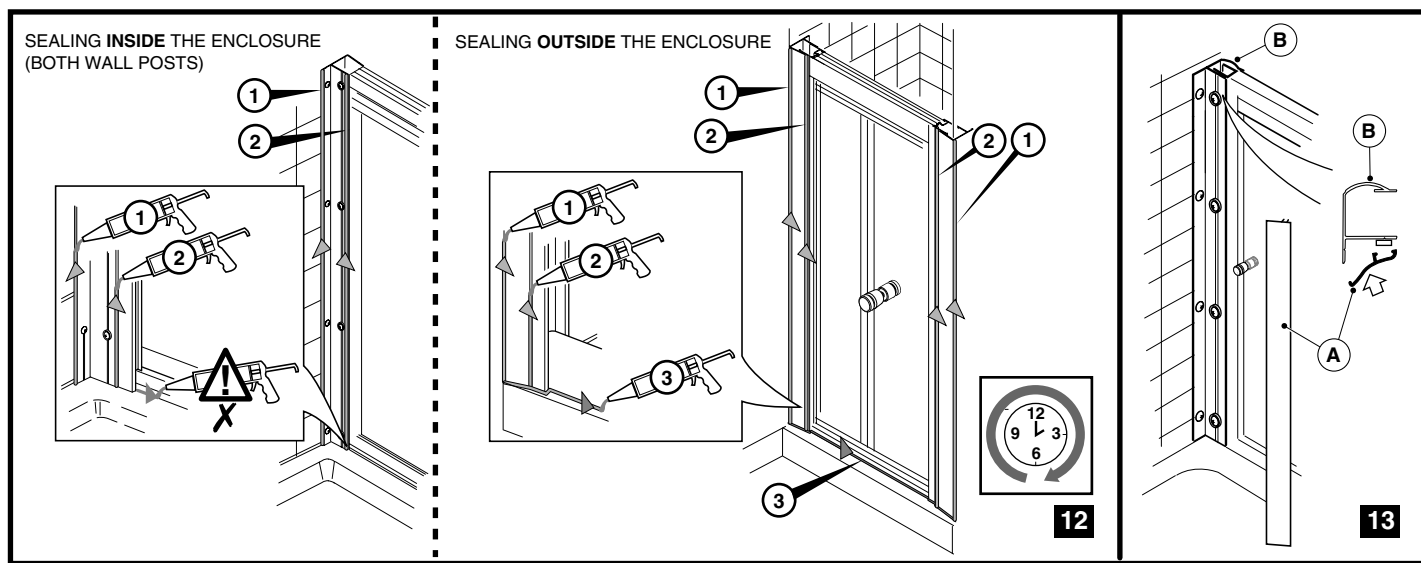


SEMI FRAMELESS BIFOLD DOOR



DOOR SIZE	
	760
	800
	900
GLASS DESIGN	
	CLEAR
	PLATINUM
FRAME COLOUR	
	WHITE
	CHROME
DOOR ADJUSTMENT	
760 DOOR	715-755mm
800 DOOR	755-795mm
900 DOOR	855-895mm

- ▶ 1850 TALL
- ▶ ADJUSTABLE WALL POSTS
- ▶ LEFT OR RIGHT HAND OPENING
- ▶ SPACE-SAVING INWARD ACTION
- ▶ POWER SHOWER TESTED
- ▶ CONCEALED FIXING COVERS

The manufacturer's policy is one of continuous development and improvement and accordingly we reserve the right to change specifications without prior notice.

The utmost care has been taken in the manufacture of the Shower Enclosure to ensure that it gives complete satisfaction. To the best of our knowledge this product was in perfect condition when it left the factory but customers should note that claims for damage to glass, finish or shortages must be submitted to the vendor before installation.

The manufacturer reserves the right to disallow claims once the assembly has been installed. Failure to follow the recommendations set out in these instructions or to install in a manner not approved by the manufacturer may result in all or part of the product guarantee being null and void.

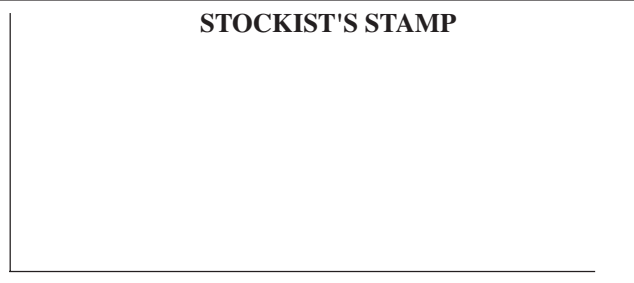
10 YEAR GUARANTEE

This product is covered by a 10 year guarantee. Should any part of it become defective due to faulty materials or manufacture, it will be replaced free of charge (supply only).

This guarantee does not cover glass breakage or any fault arising from incorrect installation. Any replacement parts are for DIY installation and no claim can be accepted for any costs incurred for the installation of the replacement parts.

This guarantee does not affect your statutory rights. Please retain your receipt as dated proof of purchase. We reserve the right to change the specification of our products without prior notice.

STOCKIST'S STAMP



FULL FITTING INSTRUCTIONS ENCLOSED

ALL NOMINAL DIMENSIONS IN MILLIMETRES

Please ensure that these instructions are read thoroughly prior to installation. The manufacturer cannot be held responsible for any problems arising from an incorrectly installed product.

Prior to installation

Carefully unwrap the product; ensuring it is placed on a clean surface to reduce the risk of scratching the finish. Inspect the product for transit damage, all such damage must be reported within 3 days of receipt to the supplier.

IMPORTANT

Take care to avoid hidden water pipes and electrical cables when drilling into the wall. Seek expert advice on the type of wall fixings applicable to your wall construction and the type of sealant to use in your application.

Installation

The following text is to be read in conjunction with the pictorial diagrams.

- 1** Tools required.
- 2** Check contents and familiarise yourself with the items supplied.
- 3** Ensure that a suitable shower base has been installed as per the manufacturers instructions, that it is level and the joint between the tiles and the tray is sealed with a continuous bead of suitable silicone sealant. Ensure that the walls are tiled and are vertical to the base. Check the minimum and maximum adjustments of this product correspond to dimensions of the tiled opening.
Note: If necessary, the size of the enclosure may be increased by the addition of an extension kit.
- 4** Select left or right handing opening of the door (C) by rotating it through 180 degrees.
Note: This door has been designed to open inwards only.
- 5** Place one plastic base washer (E) onto the threaded rod of the door handle (F) and insert the rod through the hole in the glass of the door. Slide the second washer (E) onto the threaded rod and screw on the second door handle (D).
DO NOT OVERTIGHTEN. If desired, push the rubber 'O' rings (D1) onto the door handles.
- 6** Push the wall posts (B) fully home onto the door, ensuring that the pre-drilled flange on each wall post is facing inside the enclosure.
- 7** Lift the enclosure onto the tray.
To prevent marking the tray when moving the enclosure about its surface, tape a layer of paper on top of the shower base. Ensure that the enclosure is vertical and set back approximately 10mm from the outside edge of the tray. If necessary, the width of the enclosure can be increased by moving the wall posts outwards from the door assembly, ensuring that there is enough overlap for the fixing screws to secure the wall posts and the door assembly together. Hold in place and draw a pencil line down the side of each wall post and mark through the pre-punched holes. Remove the enclosure with wall posts attached (and extension posts if fitted) from the tray.
- 8** Drill the wall at the pre-marked positions and insert wall fixings applicable to your wall type construction (not supplied). Remove the protective paper, if used, from the tray.

9 To allow easier access to the screws, detach the wall post at the door hinge end from the enclosure and position it on the shower tray, using the drawn pencil lines as a guide. Secure this wallpost (B) to the wall using screws applicable for your wall fixings (not supplied), ensuring that the head of the screw is not bigger than the flange of the wall post, otherwise it will prevent the correct fitting of the concealed fixing cover (A).

It is recommended that a small bead of silicone sealant is applied behind the head of each screw before tightening to prevent water ingress.

Slide the enclosure carefully into the fixed wall post, square it up to the marked guide lines for the second wall post and secure the second wall post to the wall. Access to the screws in this wall post can be made easier by opening the door.

10 Check the position of the door, ensuring it is centralised between both wall posts and that the doors are square within the outer frame and operate freely.

11 To secure the enclosure to the wall posts, drill four holes with a 2.8mm drill bit through each wall post, using the vee groove as a guide, in line with the screws which fasten the wall posts to the wall. Fasten with the No.6 x 3/8" screws (G) and plastic washers (H) provided. Check that the door operates correctly.

12 It is important that the shower enclosure is sealed properly and carefully to allow any water to flow back INTO the shower tray at the correct places. All surfaces must be clean and dry before the application of sealant.

INSIDE THE ENCLOSURE

- 1** Apply a continuous bead of silicone sealant from bottom to top between the wall post and the wall.
 - 2** Apply a continuous bead of silicone sealant from bottom to top between the wall post and the door frame.
- DO NOT SEAL ALONG THE BOTTOM OF THE INSIDE OF THE FRAME WHERE IT SITS ON THE SHOWER TRAY** as this will prevent any water draining back into the tray.

OUTSIDE THE ENCLOSURE

- 1** Apply a continuous bead of silicone sealant from bottom to top between the wall post and the wall.
- 2** Apply a continuous bead of silicone sealant from bottom to top between the wall post and the door frame.
- 3** Apply a continuous bead of silicone sealant the full width from wall to wall along the bottom of the enclosure where it sits on the tray to prevent water seeping outside the enclosure. Ensure that there are no gaps left where the sealant is applied.

Allow 24 hours for the silicone sealant to fully cure before use.

13 Clip the concealed fixing covers (A) into position by pushing them firmly over the plastic washers on the wall posts.

CARE AND MAINTENANCE

Clean your enclosure **only** with mild detergent and water promptly after use. This will prevent the build up of limescale.

NEVER use an abrasive or aggressive cleaner.

A proprietary glass cleaner can be used if necessary.

TROUBLE SHOOTING

Door does not close square.

Ensure that the tray is level and 90° to the walls. Check that the enclosure is vertical.

Concealed fixing cover will not fit.

Check that the screw head is not catching the fixing cover. Ensure that the fixing cover has not been twisted during fitting.

CONTENTS

REF	DESCRIPTION	QTY
A	CONCEALED FIXING COVER	2
B	WALL POST	2
C	DOOR	1
D	DOOR HANDLE	1
D1	'O' RING for door handle	2
E	PLASTIC WASHER	2
F	DOOR HANDLE with threaded stud	1
G	SELF TAPPING SCREW No 6 x 3/8" long	8
H	PLASTIC WASHER	8

TOOLS REQUIRED

