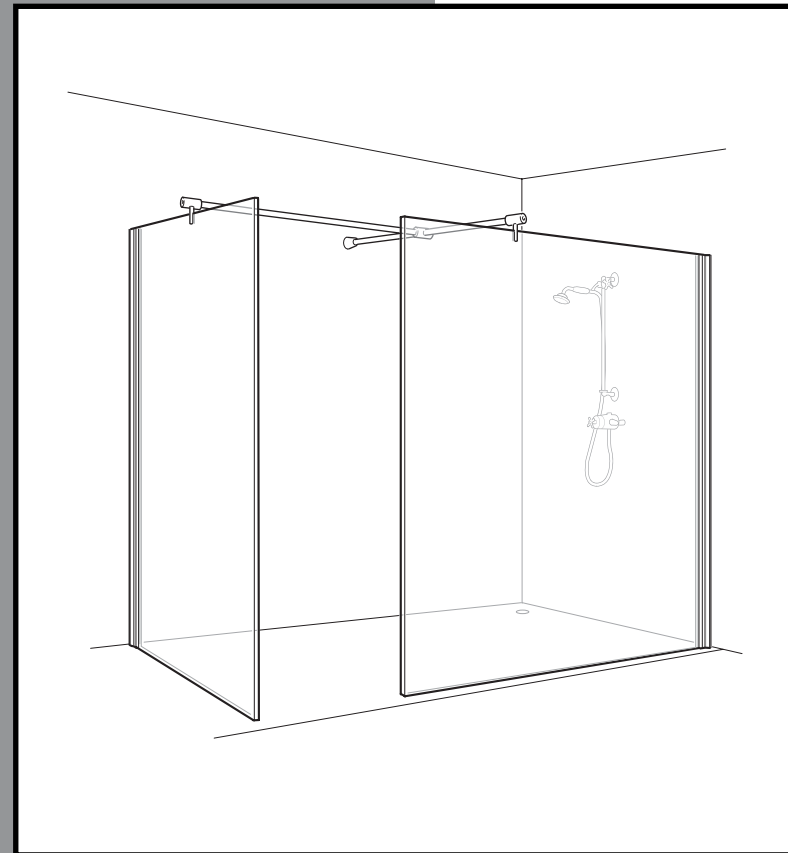
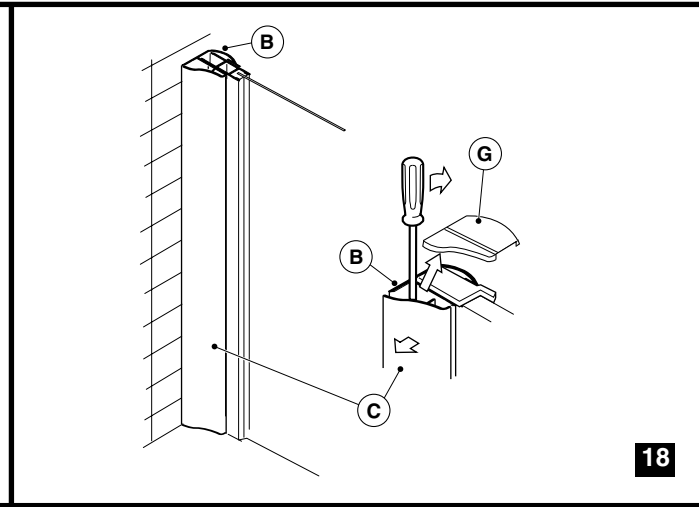
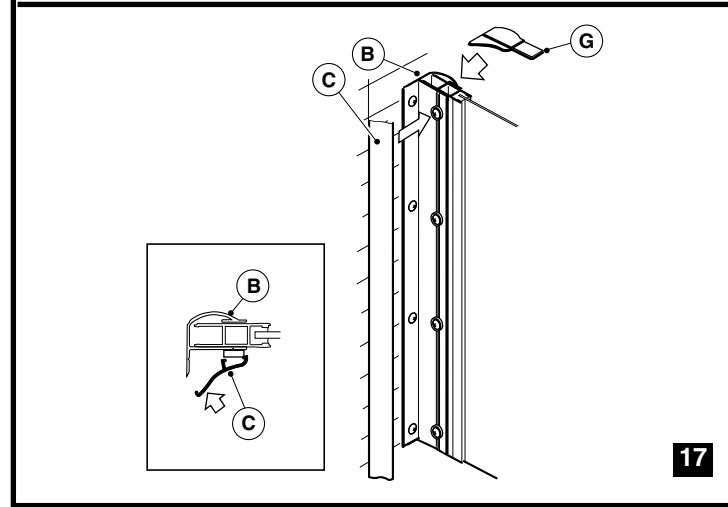
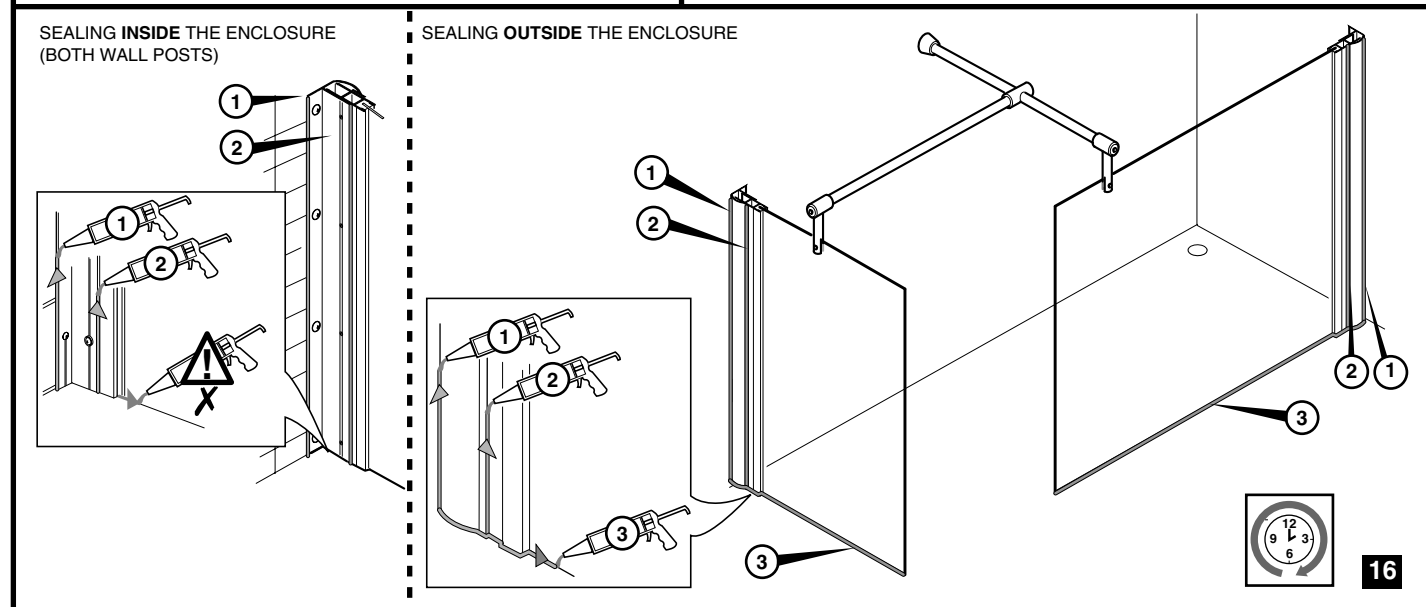
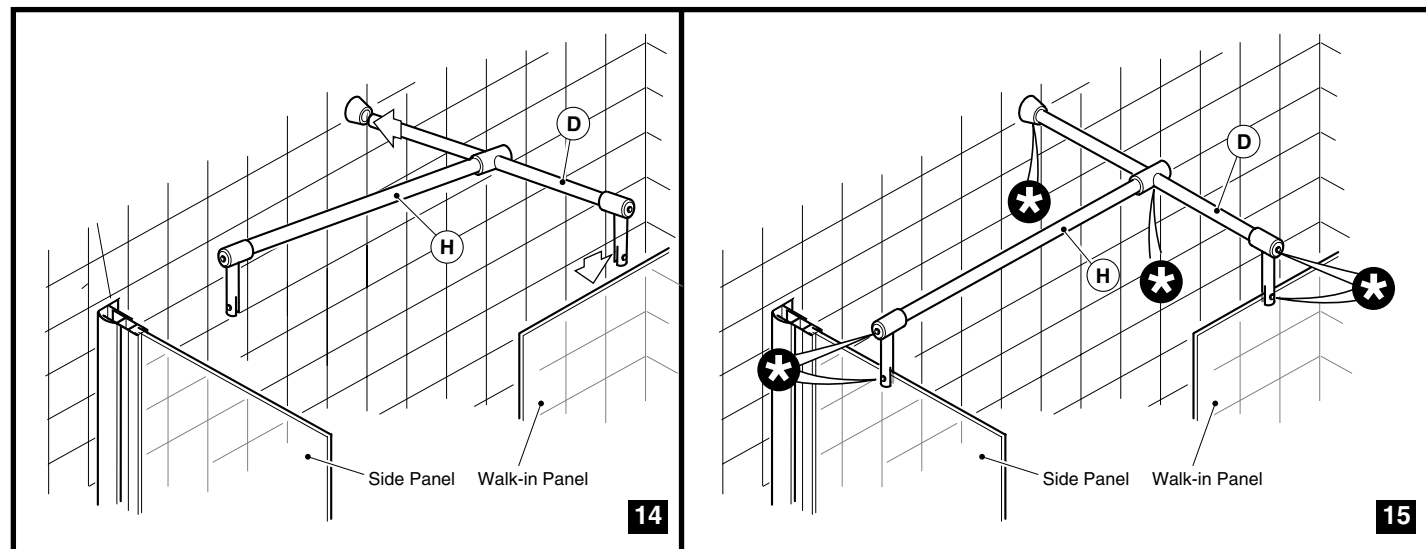


WALK-IN SHOWER ENCLOSURE



PANEL SIZE	
	800
	900
	1000
	1200
GLASS DESIGN	
	CLEAR
FRAME COLOUR	
	CHROME

2000 TALL

6mm TOUGHENED GLASS

ADJUSTABLE WALL POSTS

LEFT OR RIGHT HAND ASSEMBLY

CONCEALED FIXING COVERS

The manufacturer's policy is one of continuous development and improvement and accordingly we reserve the right to change specifications without prior notice.

The utmost care has been taken in the manufacture of the Shower Enclosure to ensure that it gives complete satisfaction. To the best of our knowledge this product was in perfect condition when it left the factory but customers should note that claims for damage to glass, finish or shortages must be submitted to the vendor before installation.

The manufacturer reserves the right to disallow claims once the assembly has been installed. Failure to follow the recommendations set out in these instructions or to install in a manner not approved by the manufacturer may result in all or part of the product guarantee being null and void.

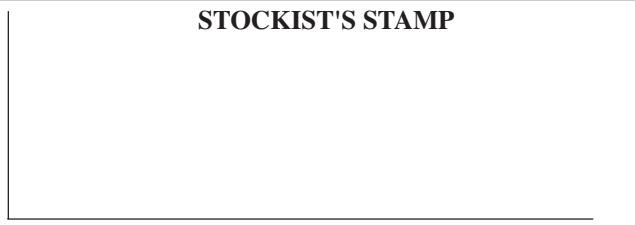
LIFETIME GUARANTEE

This product is covered by a lifetime guarantee. Should any part of it become defective due to faulty materials or manufacture, it will be replaced free of charge (supply only).

This guarantee does not cover glass breakage or any fault arising from incorrect installation. Any replacement parts are for DIY installation and no claim can be accepted for any costs incurred for the installation of the replacement parts.

This guarantee does not affect your statutory rights. Please retain your receipt as dated proof of purchase. We reserve the right to change the specification of our products without prior notice.

STOCKIST'S STAMP



FULL FITTING INSTRUCTIONS ENCLOSED

ALL NOMINAL DIMENSIONS IN MILLIMETRES

Please ensure that these instructions are read thoroughly prior to installation. The manufacturer cannot be held responsible for any problems arising from an incorrectly installed product.

Prior to installation

Carefully unwrap the product; ensuring it is placed on a clean surface to reduce the risk of scratching the finish.

Inspect the product for transit damage, all such damage must be reported within 3 days of receipt to the supplier.

Important

Take care to avoid hidden water pipes and electrical cables when drilling into the wall.

Seek expert advice on the type of wall fixings applicable to your wall construction and the type of sealant to use in your application.

This product is extremely heavy and will require two people to handle it during assembly.

Installation

The following text is to be read in conjunction with the pictorial diagrams.

- 1 Tools required.
- 2 Check contents and familiarise yourself with the items supplied.
- 3 Ensure that the showering area has been prepared in an appropriate manner for that purpose and that the floor or shower tray has correct drainage. Check that the base is 90° to the walls.
- 4 Push the wall post (B) fully home onto the glass panel (A).
- 5 Place the assembled panel in the desired position making sure it is vertical and parallel to the adjacent wall. **On the walk-in glass panel only, check that the wall bar (D) is long enough to reach between the walk-in glass panel and the wall (maximum 900mm). If required, the wall bar can be cut to length.** Hold the assembled glass panel in place and draw a pencil line down the edges of the wall post.
- 6 Remove the assembled unit and separate the wall post from the panel. Reposition the wall post using the vertical pencil lines as a guide. Mark through the pre-drilled holes on the back face. Remove the wall post.
- 7 Drill at the pre-marked positions and insert wall fixings applicable to your wall type construction (not supplied).
- 8 Attach the wall post to the wall using screws applicable for your wall fixings (not supplied). It is recommended that a small bead of silicone sealant is applied behind the head of each screw before tightening to prevent water ingress. Apply silicone sealant at the bottom of the wall post on the inside.
- 9 Slide the glass panel back into the wall post and adjust the panel so that the bottom of the glass runs evenly along the floor. To secure the enclosure to the wall posts, drill four holes with a 2.8mm drill bit through each wall post, using the vee groove as a guide, in line with the screws which fasten the wall posts to the wall. Fasten with the No.6 x 3/8" screws (E) and plastic washers (F) provided. Check that the glass panel is resting on the floor.

If the optional side panel is being installed, carefully mark out the desired position for it allowing sufficient space for access into the formed enclosure. Follow steps 4 to 10 above for assembly.

- 10 Slacken the plastic grub screw (*) in the grooved bracket of the wall bar (D) and the metal screw (*) in the end of the collar above it, slide the bracket over the edge of the glass panel approximately 6 inches from the open glass edge at the opposite end from the wall post. Position the conical collar against the wall, at 90° to it, making sure that the bar is horizontal. Mark the position for the collar and remove the wall bar from the glass panel.

- 11 Slacken the metal grub screw in the collar, remove the collar and place it centrally on the marked position on the wall. Mark through the fixing hole in the collar and drill a hole for the wall fixing.

- 12 Attach the collar to the wall using a suitable screw applicable for your wall fixings (not supplied).

- 13 **If only the walk-in panel is used, insert the open end of the bar into the collar. Replace the grooved bracket of the wall bar over the edge of the glass panel. When the bar is in the correct position, tighten the metal grub screw (*) in each collar, then gently tighten the plastic grub screw (*) in the grooved bracket onto the glass.**
If the optional side panel is being used, do not fix the wall bar until later.

- 14 With the collar removed, insert the wall bar into the adaptor on the side panel bar (H) and slide it along up to the required position (approximately half way). Insert the open end of the wall bar into the collar which is attached to the wall and place the grooved bracket of the wall bar over the edge of the glass panel.

- 15 Slacken the plastic grub screw (*) in the grooved bracket of the side panel bar and the metal screw in the end of the collar above it and slide the bracket over the edge of the side panel to check if it the correct length. **Do not force the bar onto the glass.** It may be cut to the required length with a hacksaw if required. When the bar is in the correct position, tighten the metal grub screws (*) in the adaptor and the collars on both bars, then gently tighten the plastic grub screws (*) in each grooved bracket onto the glass.

- 16 **It is important that each glass panel is sealed properly and carefully to allow any water to flow back INTO the showering area at the correct places. All surfaces must be clean and dry before the application of sealant.**

INSIDE THE ENCLOSURE

- 1 Apply a continuous bead of suitable silicone sealant from bottom to top between the wall post and the wall.
- 2 Apply a continuous bead of silicone sealant from bottom to top between the wall post and the panel vertical.

OUTSIDE THE ENCLOSURE

- 1 Apply a continuous bead of silicone sealant from bottom to top between the wall post and the wall.
- 2 Apply a continuous bead of silicone sealant from bottom to top between the wall post and the panel vertical.
- 3 Apply a continuous horizontal bead of silicone sealant from the wall post to the end of the glass panel.

Allow 24 hours for silicone to fully cure before use.

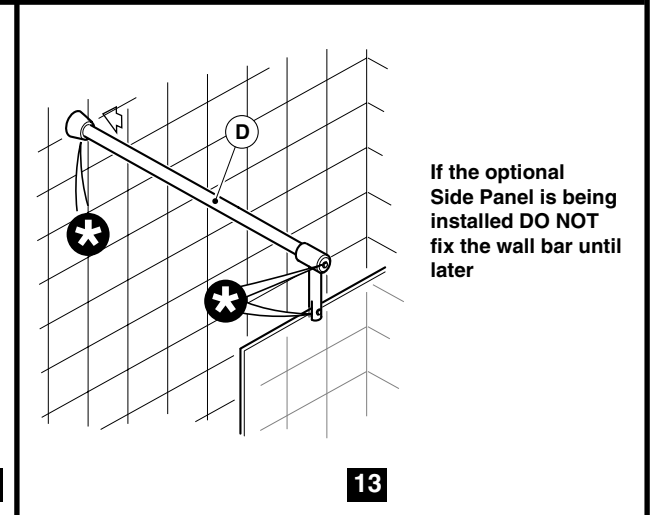
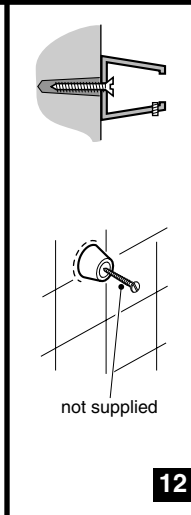
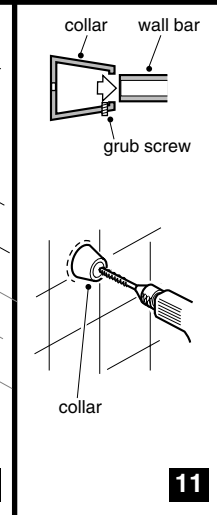
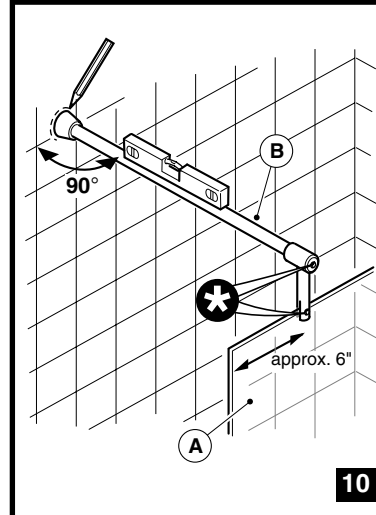
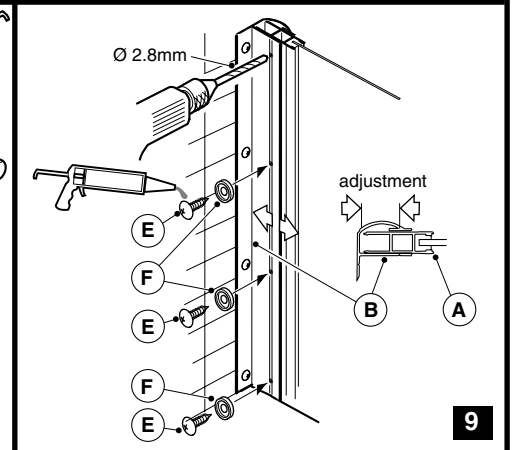
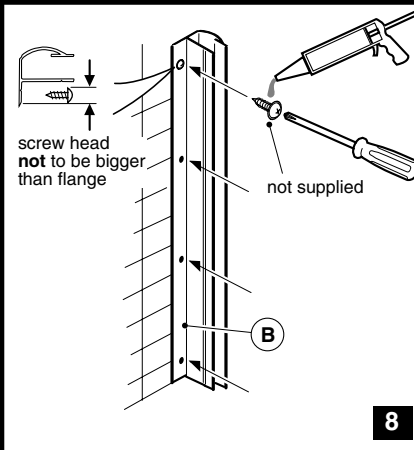
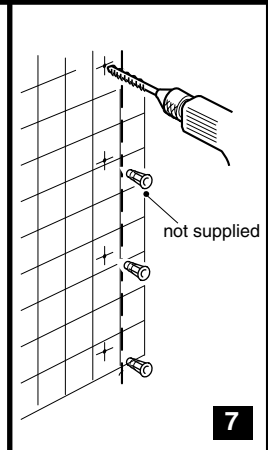
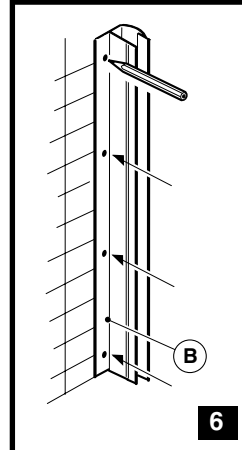
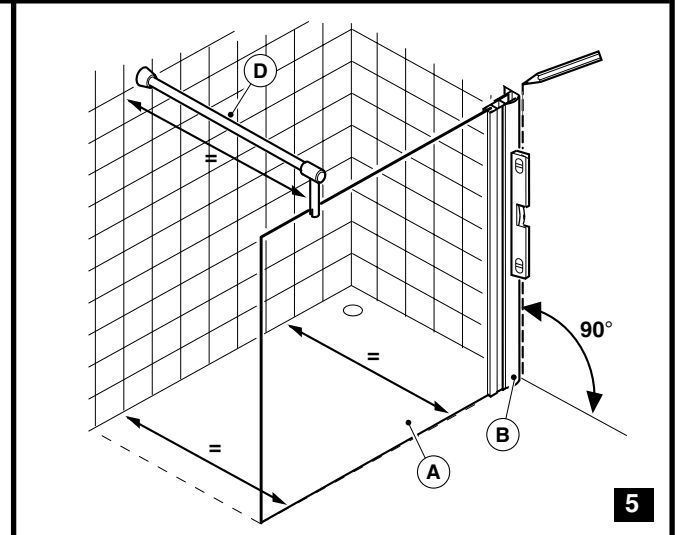
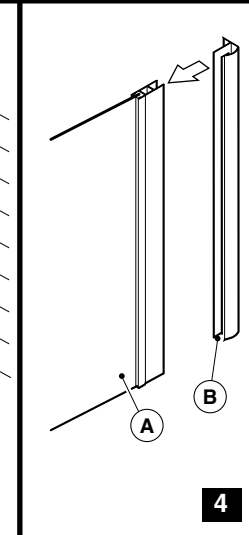
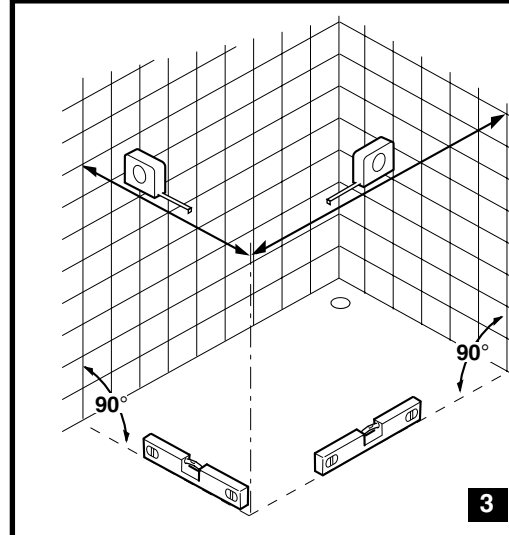
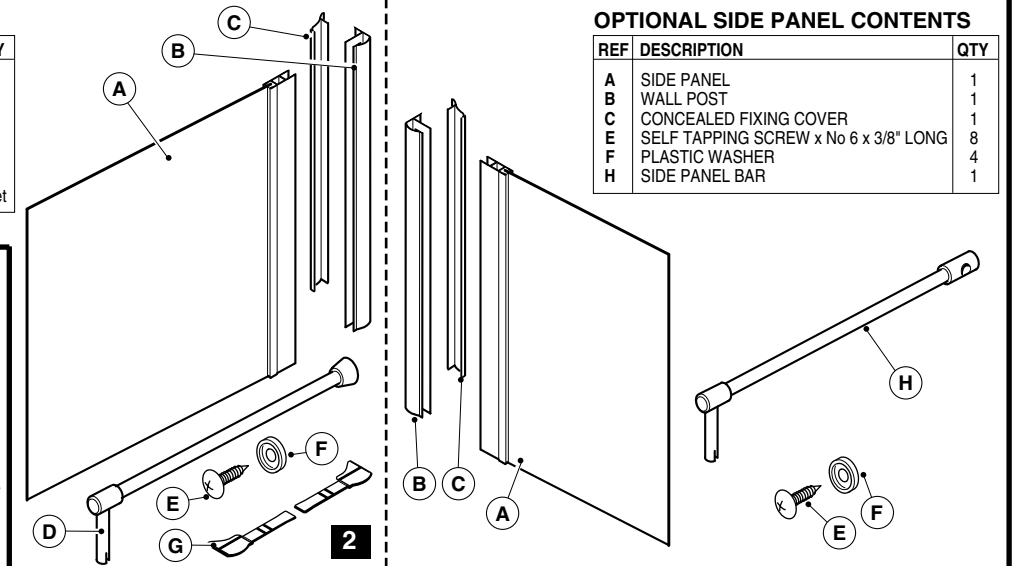
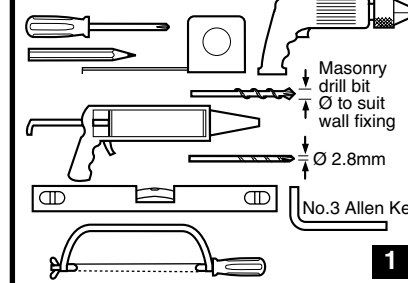
- 17 Clip the concealed fixing cover (C) into position on the wall post by pushing it firmly over the plastic washers. Push the cover cap (G) firmly into position on the top of the wall post.

- 18 If it is necessary to remove the concealed fixing covers, carefully remove the cover cap (G) from the top of the wall post. Insert a screwdriver between the fixing cover and the wall post and gently prise the cover off.

WALK-IN PANEL CONTENTS

REF	DESCRIPTION	QTY
A	WALK-IN GLASS PANEL	1
B	WALL POST	1
C	CONCEALED FIXING COVER	1
D	WALL BAR	1
E	SELF TAPPING SCREW x No 6 x 3/8" LONG	8
F	PLASTIC WASHER	4
G	CAP	1 set

TOOLS REQUIRED



If the optional Side Panel is being installed DO NOT fix the wall bar until later