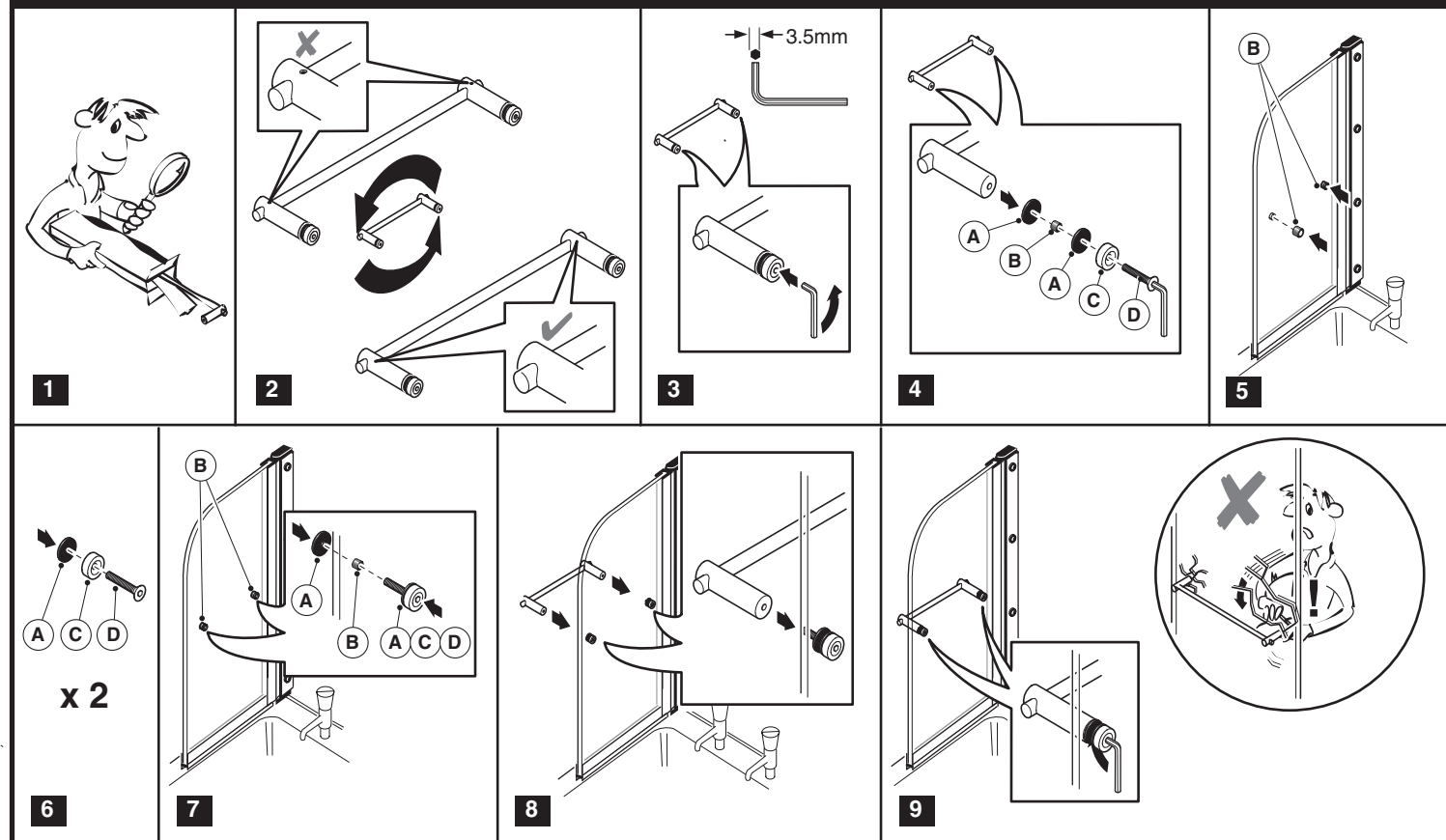
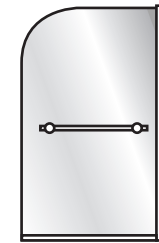


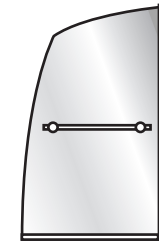
## FITTING THE TOWEL RAIL



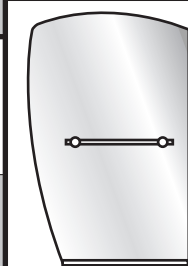
## SCREEN TYPE



**CLASSIC**  
Screen adjustment  
817-837mm



**SAIL**  
Screen adjustment  
817-837mm



**EXCEL**  
Screen adjustment  
1033-1053mm

# RISE AND FALL HINGE BATHTHSCREEN

## FEATURES

- SMOOTH EDGE
- CONCEALED FIXING COVER
- 5mm TOUGHENED SAFETY GLASS
- RISING HINGE FOR EASE OF ACCESS
- REVERSIBLE FOR LEFT OR RIGHT HAND INSTALLATION
- 90° OPENING

## FULL FITTING INSTRUCTIONS

FOR INSTALLATION IN A WET ROOM OR WITH A SHOWER TRAY

ALL NOMINAL DIMENSIONS IN MILLIMETRES

Please ensure that these instructions are read thoroughly prior to installation. The manufacturer cannot be held responsible for any problems arising from an incorrectly installed product.

## TROUBLE SHOOTING

### Concealed fixing cover will not fit

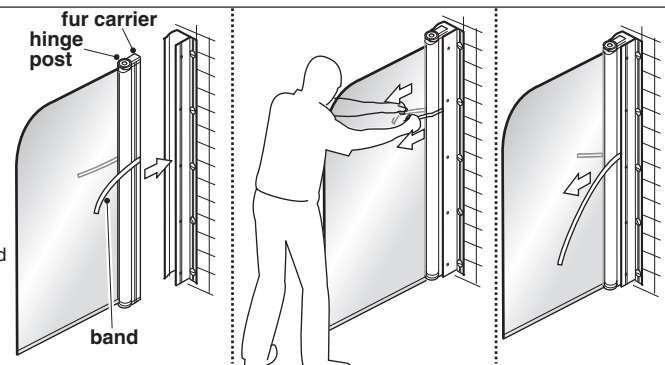
Check that the fixing covers have not been twisted during fitting  
Ensure that the correct size screw head is used  
Check that the screw is placed in line with the vee groove

### Water leaks between hinge and fur carrier

Remove the concealed cover. Remove the screws which hold the screen assembly into the wall post and lift the screen assembly away.

Place a thin strong band around the fur carrier at approximately half way up and insert the screen assembly back into the wall post. Pull the band until the fur carrier is tight against the hinge pivot. The friction of the wall post holds the post in place until screwed in position.

Pull the band away from between the wall post and the hinge post, refit the screws and check for leakage. If satisfied, refit the cover caps and concealed cover.



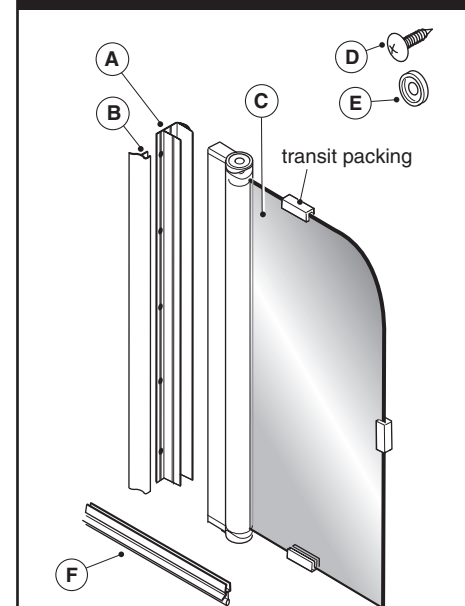
## CARE AND ATTENTION

Clean your enclosure with mild detergent and water promptly after use. This will prevent the build up of limescale.

NEVER use an abrasive or aggressive cleaner.

A proprietary glass cleaner can be used if necessary.

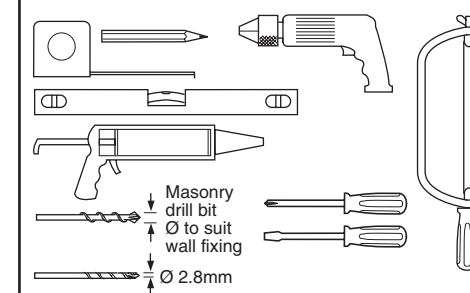
## CONTENTS



REF	DESCRIPTION	QTY
A	CONCEALED FIXING COVER	1
B	WALL POST	1
C	SCREEN	1
D	SELF TAPPING SCREW No 6 x 3/8" long	5
E	PLASTIC WASHER	5
F	SEALING STRIP	1

## TOOLS REQUIRED

Note: The silicone sealant to be used in the assembly and finish of this shower enclosure should be CLEAR.



## Guarantee Terms and Conditions

The Manufacturers policy is one of continuous development and improvement and accordingly we reserve the right to alter specification without prior notice.

The utmost care has been taken in the manufacture of this product to ensure it gives complete satisfaction. To the best of our knowledge this product was in perfect condition when it left our factory. You are recommended to examine it before installation and check quality, accuracy of the components and quantity of the contents. Customers should note that claims for damage to glass, finish or shortages must be submitted to the vendor before installation. The manufacturer also reserves the right to disallow claims once the product has been installed.

Failure to follow the recommendations set out in these instructions or to install in a manner not approved by the manufacturer may result in all or part of the product guarantee being null or void.

This product is guaranteed by the manufacturer for a period of 10 years from the date of purchase and no other proposal or statement by any other party will supersede or complement this offer. Should any part of it become defective due to faulty manufacture or materials, it will be replaced free of charge (supply only). Any parts supplied will have a guarantee term for the remaining period of the initial product guarantee stated previously. The product is not guaranteed against conditions of use or misuse.

This guarantee does not cover glass breakage however caused, or any fault arising from incorrect installation. Any replacement parts supplied, including assemblies, or completed products, are for DIY installation and no claim can be accepted for any costs however incurred for the installation of the replacement items.

This guarantee is offered as an extra benefit and is in addition to and does not affect your statutory rights. Please retain your receipt as proof of purchase.

Prior to installation, carefully unwrap the product; ensuring it is placed on a clean surface to reduce the risk of scratching the finish. Inspect the product for transit damage; all such damage must be reported within 3 days of receipt to the supplier.

**IMPORTANT**

Take care to avoid hidden water pipes and electrical cables when drilling into the wall. Seek expert advice on the type of wall fixings applicable to your wall construction and the type of sealant to use in your application.

**INSTALLATION**

The following text is to be read in conjunction with the pictorial diagrams.

**1** Ensure that the walls are tiled and are vertical to the bath.

Make sure that the bath has been installed as per the manufacturer's instructions, that it is level and the joint between the tiles and the bath is sealed with a continuous bead of suitable silicone sealant.

Check that the bath has no protruding features, such as hand grips, that will obstruct the movement of the bathscreen and that the top surface of the bath is flat.

The bathscreen may be fixed at the left or right hand side of the bath by simply rotating the wall post through 180°, ensuring that the curved face of the wall post is to the outside of the bath.

**2 TIP - leave a piece of the transit packing on the bottom of the glass; this should assist in keeping the door level before it is fixed.**

Push the wall post (A) fully home onto the bathscreen (C).

Place the assembled bathscreen as near as possible to the inside of the rim of the bath, making sure it is vertical. Check that the wall post rests on the surface of the bath and that the bathscreen operates freely without obstruction.

**3** Hold the assembled bathscreen in place and draw a pencil line down the edges of the wall post and round the hinge to where it enters the wall post.

**4** Remove the assembled unit and separate the wall post from the screen.

Reposition the wall post using the vertical pencil lines as a guide and mark through the pre-drilled holes on the back face.

Remove the wall post.

**5** Drill at the pre-marked positions and insert wall fixings applicable to your wall type construction (not supplied).

**6** Attach the wall post to the wall using screws applicable for your wall fixings, ensuring that the screw heads are not wider than the flange.

It is recommended that you apply a small bead of silicone sealant behind the head of each screw before tightening to prevent water ingress.

Before fitting the bathscreen to the wall post, apply a bead of clear silicone sealant in the previously marked area where the door hinge will sit. This should be about 3mm in from the pencil line.

**7** Slide the bathscreen back into the wall post and adjust the screen so that the sealing strip runs evenly over the rim of the bath.

Clean away any sealant which may have spread from under the hinge.

To secure the bathscreen to the wall post, drill five holes with a 2.8mm drill bit through each wall post, using the vee groove as a guide, in line with the screws which fasten the wall post to the wall.

Fix using the five self tapping screws (D) and plastic washers (E) provided.

Check that the bathscreen is resting on the the bath.

**8** Fit the sealing strip (F) to the bottom of the glass, making sure that the fin is on the bathside of the glass.

**9** It is important that the bathscreen is sealed properly and carefully to allow any water to flow back INTO the bath at the correct places. All surfaces must be clean and dry before the application of sealant.

**SEALING INSIDE THE BATHSCREEN**

**1** Apply a continuous bead of clear silicone sealant from bottom to top between the wall post and the wall.

**2** Apply a continuous bead of clear silicone sealant from bottom to top between the wall post and the bathscreen frame, taking care to avoid the hinge mechanism.

**IMPORTANT**

**DO NOT seal along the bottom of the inside of the bathscreen frame as this will prevent any water from draining back into the bath.**

**SEALING OUTSIDE THE BATHSCREEN**

**1** Apply a continuous bead of clear silicone sealant from bottom to top between the wall post and the wall.

**2** Apply a continuous bead of clear silicone sealant from bottom to top between the wall post and the bathscreen frame, taking care to avoid the hinge mechanism.

**3** Join these two lines of sealant at the bottom where the frame sits on the rim of the bath.

**Take care to avoid putting silicone sealant on the bottom seal as this may impede the pivoting action of the bathscreen, or may allow water to pass any undulations in the seal surface.**

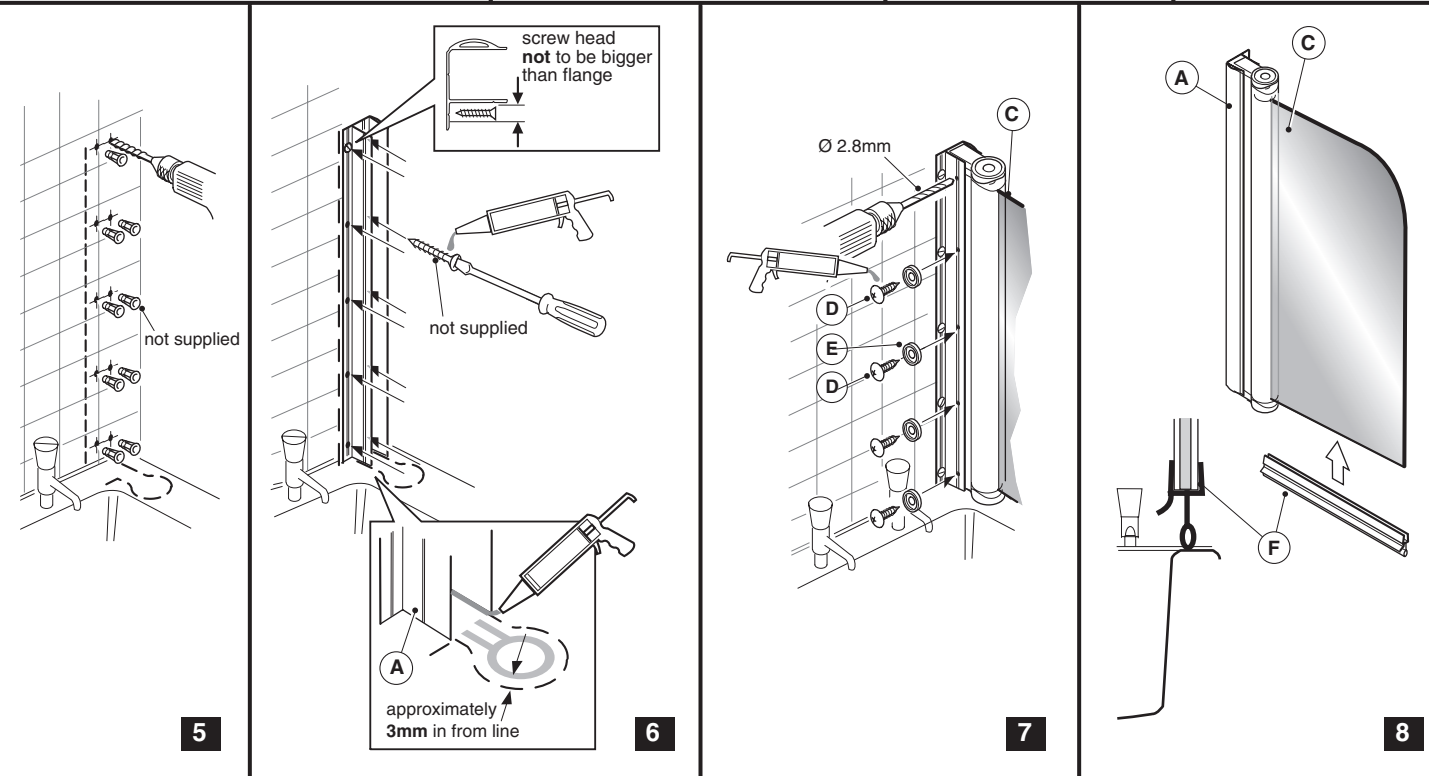
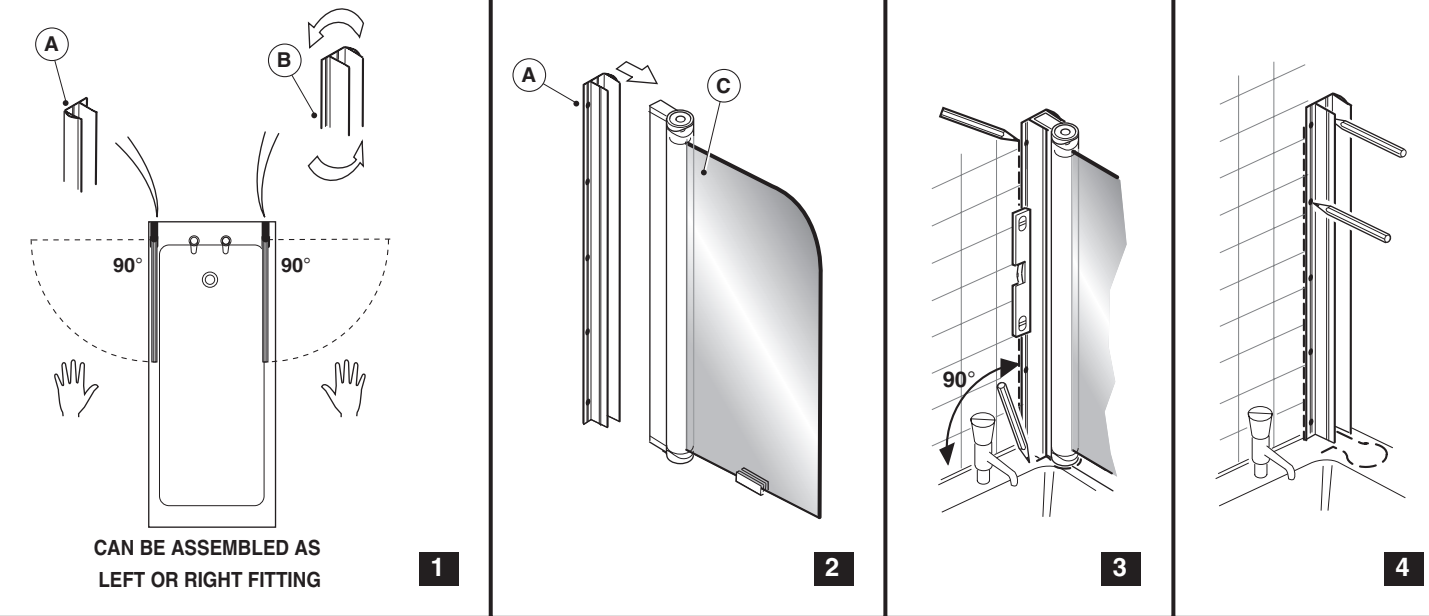
**Allow 24 hours for silicone to fully cure before use.**

**10** Clip the concealed fixing cover (B) into position on the wall post by pushing it firmly over the plastic washers.

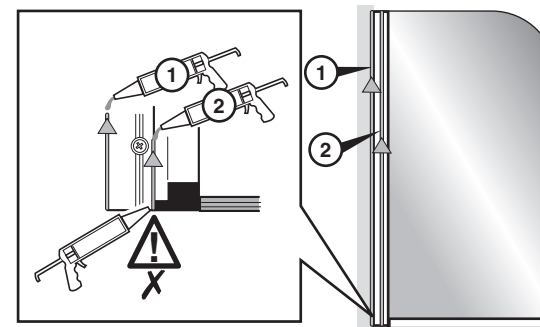
**FITTING THE TOWEL RAIL**

See the instructions on the back page.

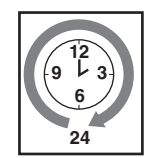
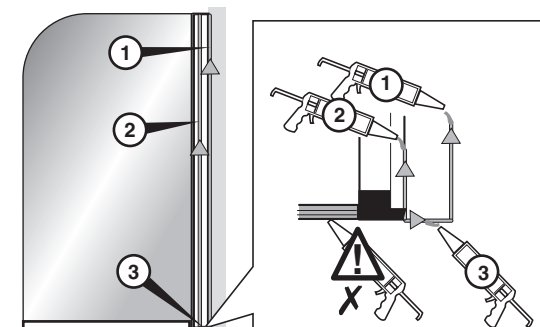
**Take care not to overtighten the fixing screws as this may cause the glass to crack.**



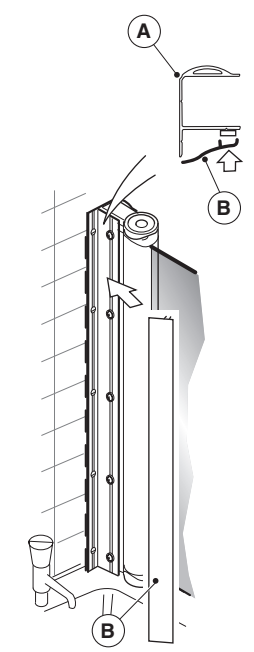
**SEALING INSIDE THE BATH**



**SEALING OUTSIDE THE BATH**



**9**



**10**

**This bathscreen is suitable for use with gravity fed showers.**

**Careful consideration should be given when using other types of showers which may cause leakage problems and excessive splashing outside the showering area.**