

Prior to installation, carefully unwrap the product; ensuring it is placed on a clean surface to reduce the risk of scratching the finish. Inspect the product for transit damage; all such damage must be reported within 3 days of receipt to the supplier.

INSTALLATION

The following text is to be read in conjunction with the pictorial diagrams. It is recommended that another person is available to assist with holding the assembly in place until the panels are fixed in position.

1 Ensure that a suitable shower base has been installed as per the manufacturer's instructions, that it is level and the joint between the tiles and the tray (if used) is sealed with a continuous bead of suitable silicone sealant.

Ensure that the walls are tiled and are vertical to the base. Check that the minimum and maximum adjustments of this product correspond to the dimensions of the tiled opening. When satisfied with the preparation of the shower area, check that the minimum and maximum adjustments of this product correspond to the dimensions of the tiled opening.

When used for a wet room, measure the length of a door assembly (dimension A-given in the illustration) along the both walls from the inside corner, and mark this position.

When used with a shower tray, the enclosure should be positioned on the rim of the tray, set back approximately 10mm from the outside edge.

2 Ensure that the panels are the correct way up, so that the door rises when opened. When in the closed position, (in line with the wall post), there should be a gap between the top hinge components and no gap between the bottom hinge components.

3 TIP - leave a piece of the transit packing on the bottom of the glass; this should assist in keeping the door level during assembly.

Push one wall post (B) fully home onto a door panel (C) at the hinge side, ensuring that the pre-drilled flange on the wall post is facing the inside of the enclosure.

Push a magnetic seal strip (D) onto the open edge of the door glass, with the magnet facing inwards.

Repeat this procedure to complete the second door assembly.

Important Note

1 Wet Room installation: the magnetic seal may touch the floor, but can also be cut so that the end is flush with the bottom of the glass door.

2 Shower Tray with Bubble Seal: the lower tip of the magnetic seal must touch the rim of the tray.

3 Shower Tray with Sealing Kit: the magnetic seal must be cut so that the end is flush with the bottom of the glass door.

4 Lift the assemblies onto the tray (or into the recess) and position them in line between the walls, with the magnetic seals pushed together, to form the enclosure.

Note:

When used with a shower tray, the enclosure should be positioned on the rim of the tray, set back approximately 10mm from the outside edge.

TIP - to prevent marking the shower base when moving the enclosure about its surface, tape a layer of paper on top of the base.

When used in a wet room, the rear edge of the wall posts should be placed at the pre-marked positions.

If necessary, the width of the enclosure can be increased by moving the door hinge posts outwards from the wall posts, ensuring that there is enough overlap for the fixing screws to secure the wall posts to the door assemblies.

Check that the enclosure is in line, sits squarely in the recess and is vertical.

5 When satisfied with the position, draw a pencil line down the back edges of both wall posts (B).

Carefully draw a line all the way round the plastic hinge base on both doors and mark where they enter the wall posts.

Remove the enclosure from the tray and separate the wall posts from it.

6 Reposition the wall posts against the pencil lines on the wall and mark through the pre-punched holes in the flange and the centre of each one.

7 Remove the wall posts, then drill the wall at the pre-marked positions and insert wall fixings applicable to your wall type construction (not supplied).

8 Reposition both wall posts against the marked positions and attach to the wall using screws applicable to your wall fixings. Ensure that the screw heads are not wider than the flange.

It is recommended that you apply a small bead of silicone sealant behind the head of each screw before tightening to prevent water ingress.

9 If using the bubble seal:

Cut a 'V' notch in the bottom of both of the magnetic seals (D) on the inside edge (not necessary in wet room installations). This prevents water from seeping outwards during showering. Remove the transit packing (if used) from the bottom of the door.

Measure the distance along the bottom of the glass between the door magnetic strip and the hinge (dim. X in the illustration). Cut the bottom door bubble seal (E) to this length.

Apply clear silicone sealant to the magnetic sealing strip where the bottom door bubble seal adjoins it.

Push the bubble seal into place with the angled blade on the inside of the enclosure and trim any excess magnetic seal at the top of the door.

This is an optional fit if the enclosure is being used in a wet room.

Repeat this procedure to fit the bottom door seal to the second door.

If using the sealing kit and bar:

Remove the transit packing (if used) from the bottom of the door and remove the magnetic seal from the door edge, noting which way the magnet is facing.

Select a flexible seal (k3) from the sealing kit - note that it is cropped at both ends.

Measure the distance along the bottom of the glass between the door edge and the hinge (dim. X in the illustration). Add 10mm to the measured length and cut the flexible seal (k3) to this length, removing one cropped end.

Push the magnetic seal back onto the door, fitting flush with the bottom of the glass.

Apply clear silicone sealant to the cropped area of the flexible seal where it touches the magnetic seal and push it up onto the door glass under the magnetic seal.

Cut the excess seal away, following the line of the magnet and trim any excess magnetic seal at the top of the door.

Repeat this stage to fit the bottom door seal to the second door.

Note:

10 Before fitting the enclosure to the wall posts, apply a bead of clear silicone sealant in the previously marked areas where the door hinges will sit. This should be about 3mm in from the pencil line.

Refit the door assemblies into the wall posts to the pre-marked position. Clean away any sealant which may have spread from under the hinges.

11 To secure the enclosure to the wall posts, drill five holes with a 2.8mm drill bit through each wall post, using the vee groove as a guide, in line with the screws which fasten the wall posts to the wall.

Fasten with the No.6 x 3/8" screws (K) and plastic washers (L) provided.

Remove the protective paper from the shower tray (if used) and remove any transit packing from the glass door.

12 Place one plastic base washer (H) onto the threaded rod of the door handle (J) and insert the rod through the hole in the glass of a door. Slide the second washer (H) onto the threaded rod and screw on the second door handle (G). The 'O' rings (F) can now be pushed into the grooves on each handle.

DO NOT OVERTIGHTEN.

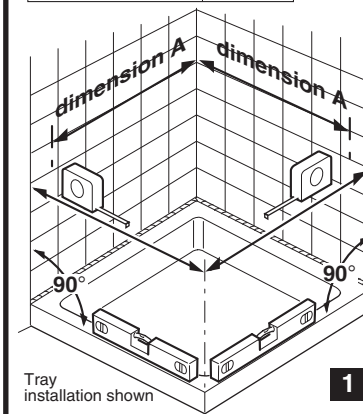
Repeat this stage to fit the door handle to the second door.

IMPORTANT

Take care to avoid hidden water pipes and electrical cables when drilling into the wall. Seek expert advice on the type of wall fixings applicable to your wall construction and the type of sealant to use in your application.

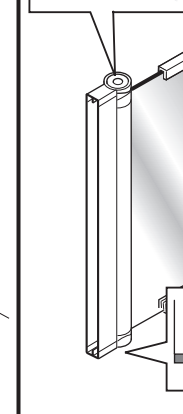
WET ROOM DIMENSIONS

PANEL SIZE	A
760	690
900	825

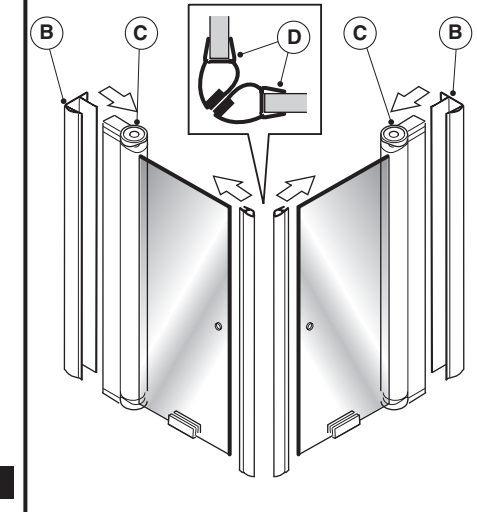


Tray installation shown

Top hinge



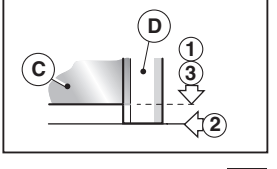
Bottom hinge



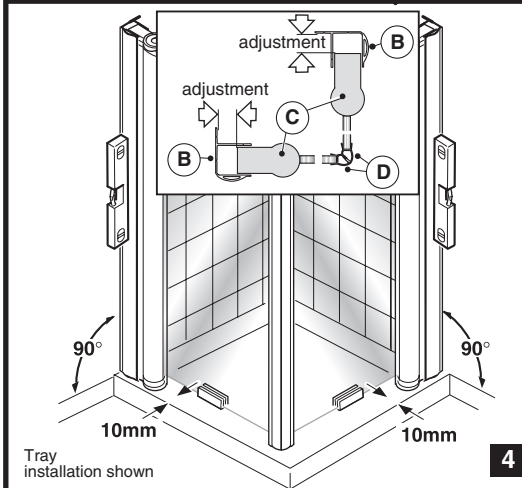
1 WET ROOM-magnetic seal may be cut flush with glass at bottom

2 TRAY (using Bubble Seal) magnetic seal must touch the rim

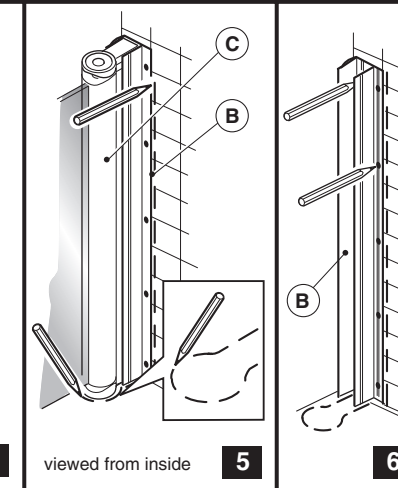
3 TRAY (using Sealing Kit) magnetic seal must be cut flush with glass at bottom



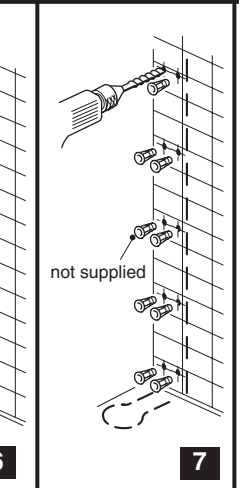
Tray installation shown



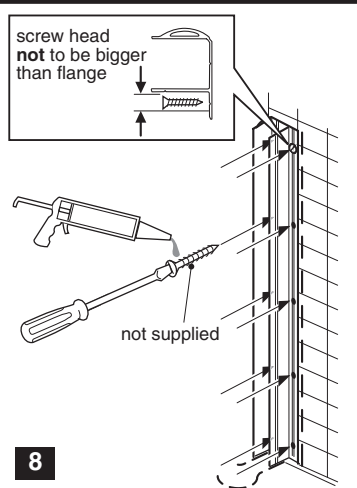
Tray installation shown



viewed from inside

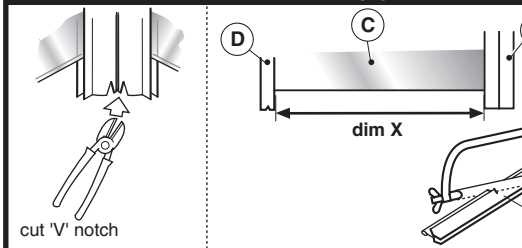


not supplied

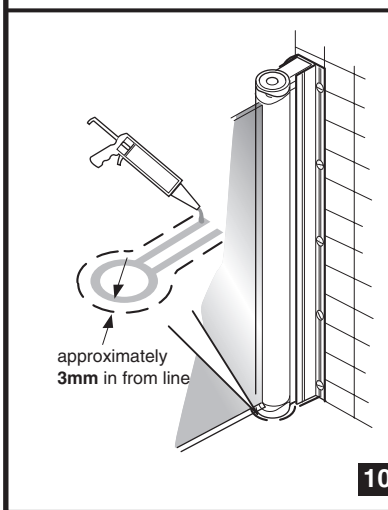
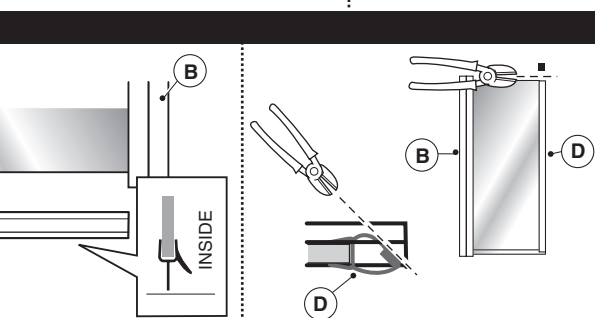
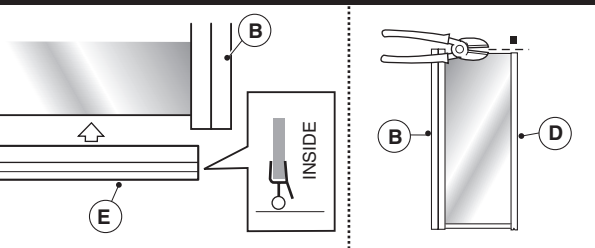
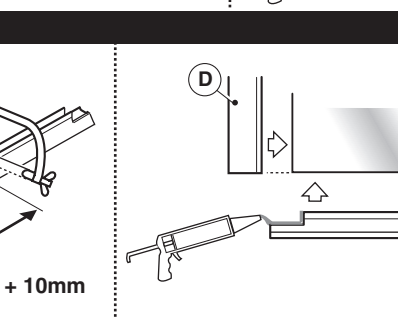
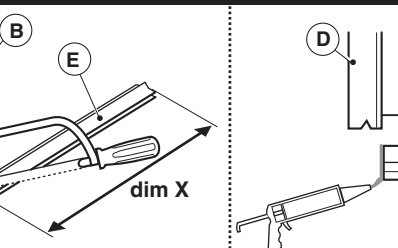
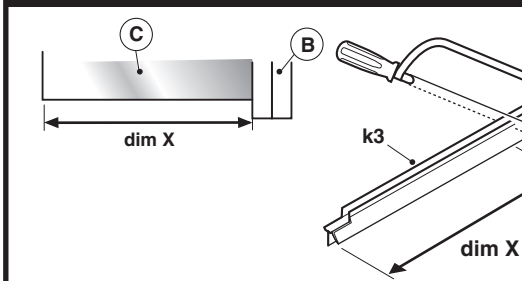


screw head not to be bigger than flange

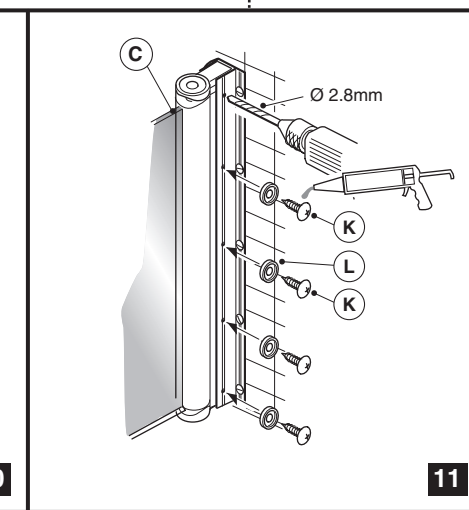
9 IF USING BUBBLE SEAL (E)



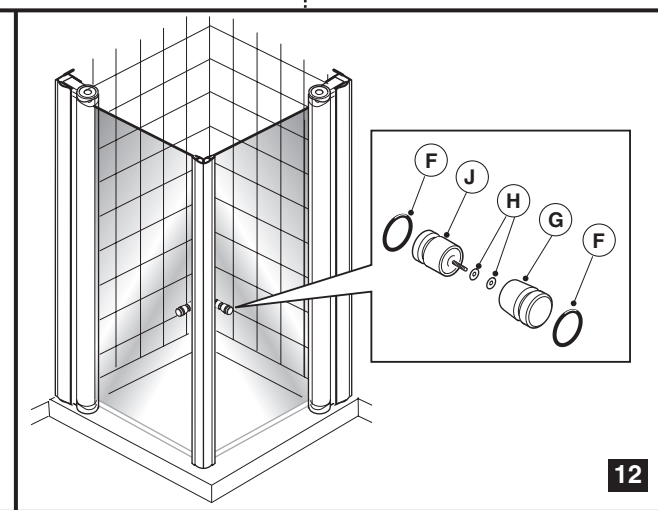
9 IF USING SEALING KIT WITH BAR



approximately 3mm in from line



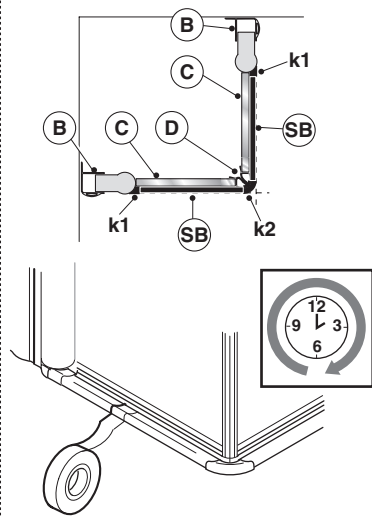
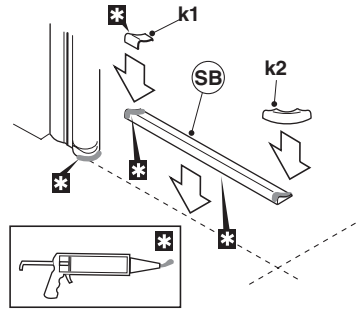
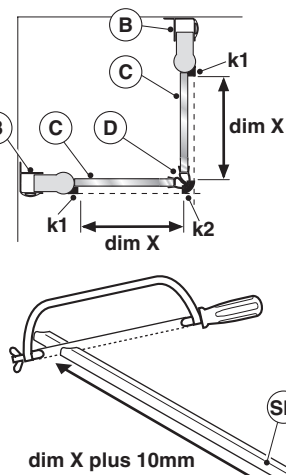
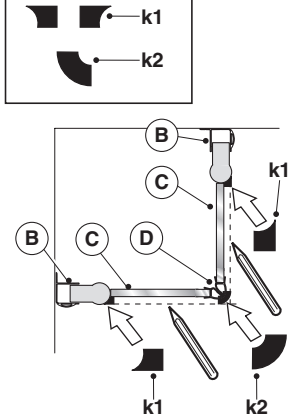
Ø 2.8mm



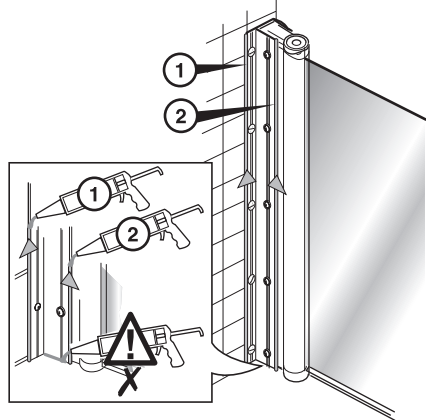
F J H G F

13-USING THE SEALING KIT

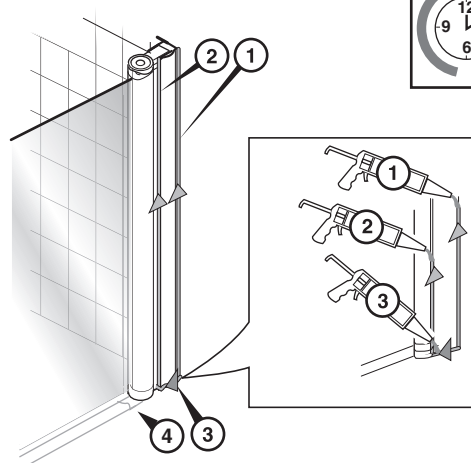
TRAY SEALING KIT



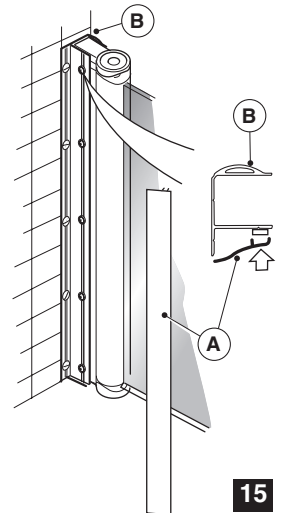
SEALING INSIDE THE ENCLOSURE (BOTH WALL POSTS)



SEALING OUTSIDE THE ENCLOSURE (BOTH WALL POSTS)



14



15



RISE AND FALL HINGE DOUBLE PIVOT DOORS SHOWER ENCLOSURE

FEATURES

- ADJUSTABLE WALL POSTS
- APPROVED FOR POWER SHOWERS
- CONCEALED FIXING COVERS

FULL FITTING INSTRUCTIONS FOR INSTALLATION IN A WET ROOM OR WITH A SHOWER TRAY

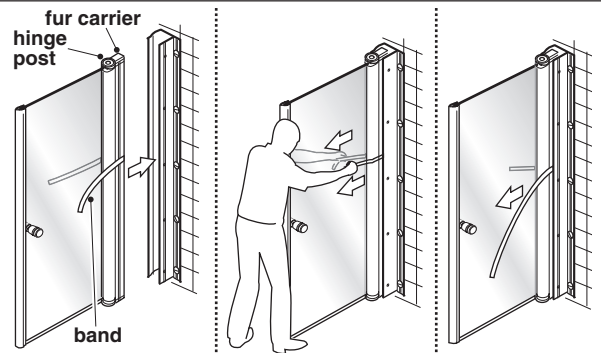
ALL NOMINAL DIMENSIONS IN MILLIMETRES

TROUBLE SHOOTING

Door does not close square or securely
 Ensure that the tray is level and 90° to the walls.
 Check that the enclosure is vertical.
 Ensure that no excess silicone or debris is blocking the door closure.

Concealed fixing covers will not fit
 Check that the fixing covers have not been twisted during fitting
 Ensure that the correct size screw head is used
 Check that the screw is placed in line with the vee groove

Water leaks between hinge and fur carrier
 Remove the concealed cover. Remove the screws which hold the door assembly into the wall post and lift the door assembly away.
 Place a thin strong band around the fur carrier at approximately half way up and insert the door assembly back into the wall post. Pull the band until the fur carrier is tight against the hinge pivot. The friction of the wall post holds the post in place until screwed in position.
 Pull the band away from between the wall post and the hinge post, refit the screws and check for leakage. If satisfied, refit the cover caps and concealed cover.

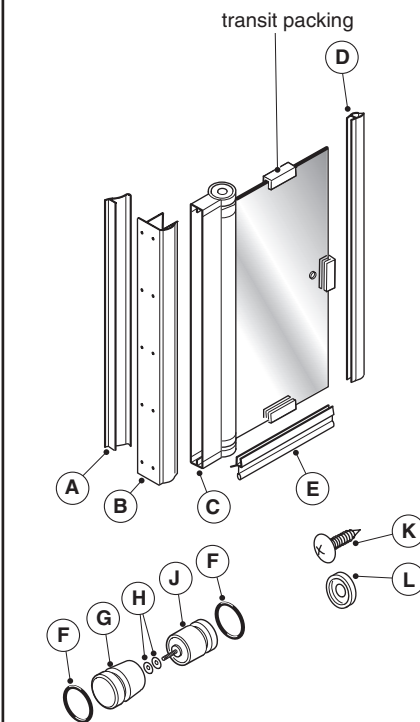


CARE AND ATTENTION

Clean your enclosure with mild detergent and water promptly after use. This will prevent the build up of limescale.
 NEVER use an abrasive or aggressive cleaner.
 A proprietary glass cleaner can be used if necessary.

CONTENTS

DOOR PACK x 2

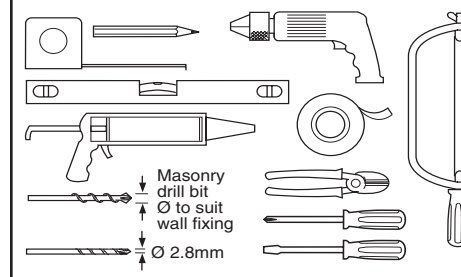


REF	DESCRIPTION	QTY
A	CONCEALED FIXING COVER	1
B	WALL POST	1
C	DOOR PANEL	1
D	MAGNETIC SEAL	1
E	BUBBLE SEAL	1
F	'O' RING for door handle	2
G	DOOR HANDLE	1
H	BASE WASHER	2
J	DOOR HANDLE with threaded stud	1
K	SELF TAPPING SCREW No 6 x 3/8" long	5
L	PLASTIC WASHER	5

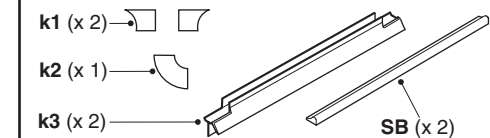
Please ensure that these instructions are read thoroughly prior to installation. The manufacturer cannot be held responsible for any problems arising from an incorrectly installed product.

TOOLS REQUIRED

Note: The silicone sealant to be used in the assembly and finish of this shower enclosure should be CLEAR.



TRAY SEALING KIT-STRAIGHT BAR



Guarantee Terms and Conditions

The Manufacturers policy is one of continuous development and improvement and accordingly we reserve the right to alter specification without prior notice.
 The utmost care has been taken in the manufacture of this product to ensure it gives complete satisfaction. To the best of our knowledge this product was in perfect condition when it left our factory. You are recommended to examine it before installation and check quality, accuracy of the components and quantity of the contents. Customers should note that claims for damage to glass, finish or shortages must be submitted to the vendor before installation. The manufacturer also reserves the right to disallow claims once the product has been installed.
 Failure to follow the recommendations set out in these instructions or to install in a manner not approved by the manufacturer may result in all or part of the product guarantee being null or void.
 This product is guaranteed by the manufacturer for a period of 10 years from the date of purchase and no other proposal or statement by any other party will supersede or complement this offer. Should any part of it become defective due to faulty manufacture or materials, it will be replaced free of charge (supply only). Any parts supplied will have a guarantee term for the remaining period of the initial product guarantee stated previously. The product is not guaranteed against conditions of use or misuse.
 This guarantee does not cover glass breakage however caused, or any fault arising from incorrect installation. Any replacement parts supplied, including assemblies, or completed products, are for DIY installation and no claim can be accepted for any costs however incurred for the installation of the replacement items.
 This guarantee is offered as an extra benefit and is in addition to and does not affect your statutory rights. Please retain your receipt as proof of purchase.