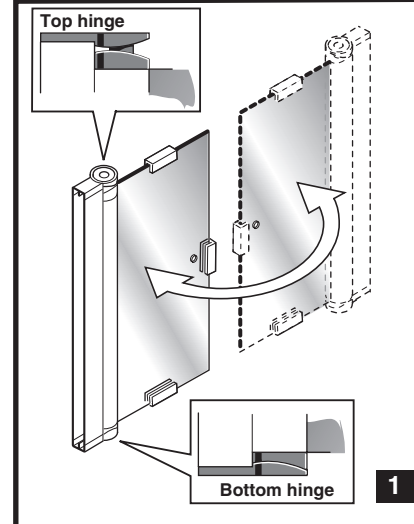


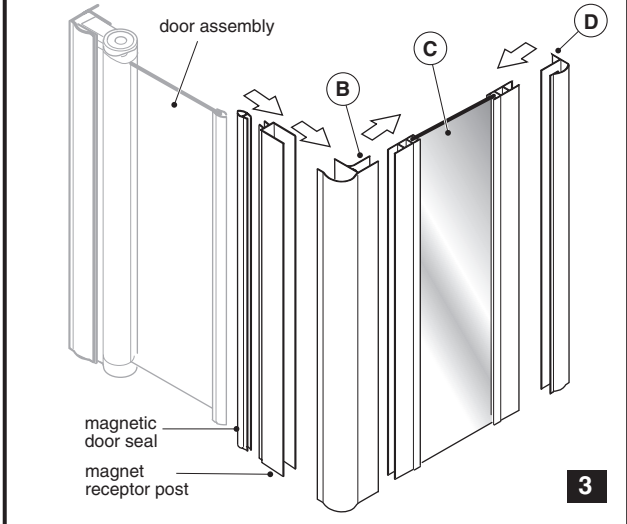
Prior to installation, carefully unwrap the product; ensuring it is placed on a clean surface to reduce the risk of scratching the finish. Inspect the product for transit damage; all such damage must be reported within 3 days of receipt to the supplier.

IMPORTANT
Take care to avoid hidden water pipes and electrical cables when drilling into the wall. *Seek expert advice* on the type of wall fixings applicable to your wall construction and the type of sealant to use in your application.



WET ROOM DIMENSIONS

PANEL SIZE	A (to Pivot wall post)	B (to Side Panel wall post)
760	685	705
800	725	745
900	825	845



INSTALLATION
The following text is to be read in conjunction with the pictorial diagrams and the instructions supplied with the PIVOT DOOR. It is recommended that another person is available to assist with holding the assembly in place until the wall posts are fixed in position.

1 Choose the side of the door to which you wish to fit the side panel (C). Select left or right handing opening of the door by turning it on its base through 180 degrees. Ensure that the door is the correct way up, so that it rises when opened. When in the closed position (in line with the wall post), there should be a gap between the top hinge components and no gap between the bottom hinge components.

Note: The hinge of the pivot door must be next to the wall for rigidity of the enclosure.

2 When satisfied with the preparation of the shower area, check that the minimum and maximum adjustments of this product correspond to the dimensions of the tiled opening.

When used for a wet room, measure the length of the side panel assembly (**dimension A**) along the wall from the inside corner, and mark this position.

Measure the length of the door assembly (**dimension B**) along the adjacent wall from the inside corner, and mark this position.

When used with a shower tray, the enclosure should be positioned on the rim of the tray, set back approximately 10mm from the outside edge.

3 Follow the instructions for assembling the door assembly.

Insert a side panel post into the wall post (D), then push the opposite side panel post into the corner post (B).

Insert the magnet receptor post from the door pack into the corner post (B), then push the second magnetic seal strip from the door pack onto the magnet receptor post. This magnetic strip must be fitted the opposite way round to the one on the door, so that the magnets close tightly together along the full height.

4 Lift the assemblies onto the tray (or into the recess) and position them in line between the walls, with the magnetic seals pushed together, to form the enclosure.

Note:

When used with a shower tray, the enclosure should be positioned on the rim of the tray, set back approximately 10mm from the outside edge.

When used in a wet room, the rear edge of the wall posts should be placed at the pre-marked positions.

If necessary, the width of the enclosure can be increased by moving the wall posts and corner post outwards from the door assembly and side panel assembly, ensuring that there is enough overlap for the fixing screws to secure the wall posts to the door and magnet receptor assemblies.

Check that the enclosure is in line, sits squarely in the recess and is vertical.

5 When satisfied with the position, draw a pencil line down the back edges of both wall posts and mark round the base of the corner post.

Following the instructions for assembling the door, carefully draw a line all the way round the plastic hinge base and mark where it enters the wall post.

Remove the enclosure from the tray and separate the wall posts from it.

6 Replace each wall post against the pencil lines on the wall, ensuring that each wall post is on the correct side for your application. Mark through the pre-punched holes in the flange and the centre of each one. **Note that the side panel wall post (D) has only four holes in the flange and none in the centre.**

7 Remove the wall posts, then drill the wall at the pre-marked positions and insert wall fixings applicable to your wall type construction (not supplied).

8 Attach the wall posts to the wall using screws applicable for your wall fixings. Ensure that the screw heads are not wider than the flanges.

It is recommended that you apply a small bead of silicone sealant behind the head of each screw before tightening to prevent water ingress.

9 Cut a 'V' notch in the bottom of the magnetic seal attached to the magnet receptor post, on the inside edge (as in the pivot door instructions).

10 Refit the door assembly to its wall post.

Fit the side panel assembly into its wall post (D) and make sure it aligns correctly with the door assembly using the pencil marks on the base as a guide. Ensure that the magnetic door seals close tightly together along the full height. Check the operation of the door and adjust as necessary according to the instructions supplied with the door.

To secure the enclosure to the wall posts, drill five holes with a 2.8mm drill bit through each wall post, using the vee grooves as a guide.

Fasten with the No.6 x 3/8" screws and plastic washers provided.

Drill five holes in each of the inside faces of the corner post using the vee groove in each face as a guide, in line with the screws securing the panel to the wall posts.

Fasten the corner post to the side panel and the magnet receptor post using the plastic washers (F) and No.6 x 3/8" screws (E).

11 It is important that the shower enclosure is sealed properly and carefully to allow any water to flow back INTO the shower enclosure at the correct places. All surfaces must be clean and dry before the application of sealant.

SEALING INSIDE THE ENCLOSURE

1 Apply a continuous bead of clear silicone sealant from bottom to top between the wall post and the wall.

2 Apply a continuous bead of clear silicone sealant from bottom to top between the wall post and the side panel post.

3 Apply a continuous bead of clear silicone sealant from bottom to top between the side panel post and the corner post, and the corner post and the magnet receptor post.

DO NOT SEAL ALONG THE BOTTOM OF THE INSIDE OF THE FRAME as this will prevent any water draining back into the tray.

SEALING OUTSIDE THE ENCLOSURE

1 Apply a continuous bead of clear silicone sealant from bottom to top between the wall post and the wall.

2 Apply a continuous bead of clear silicone sealant from bottom to top between the wall post and the side panel post.

3 Apply a continuous bead of clear silicone sealant from bottom to top between the side panel post and the corner post, and the corner post and the magnet receptor post.

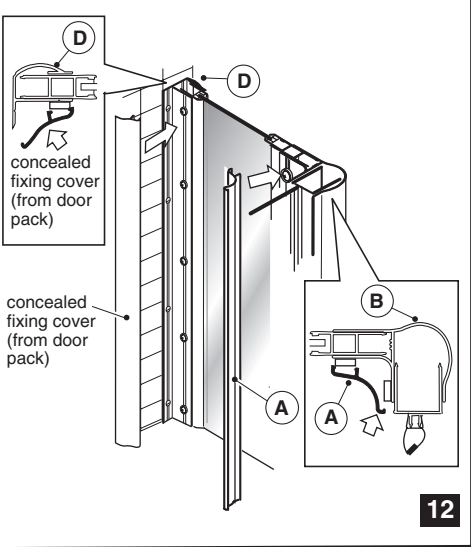
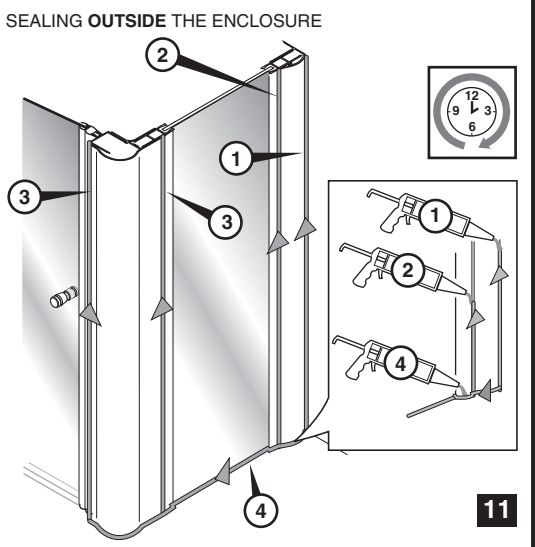
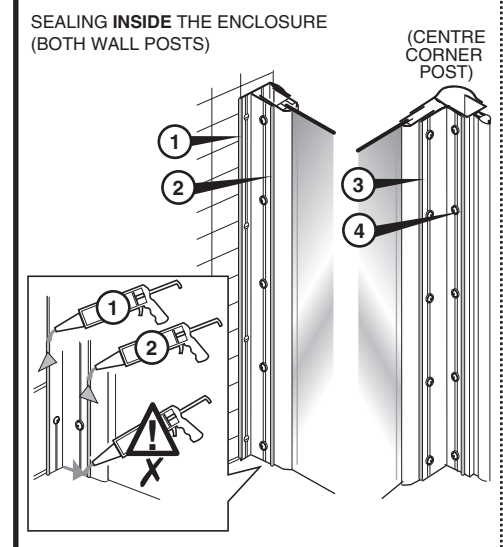
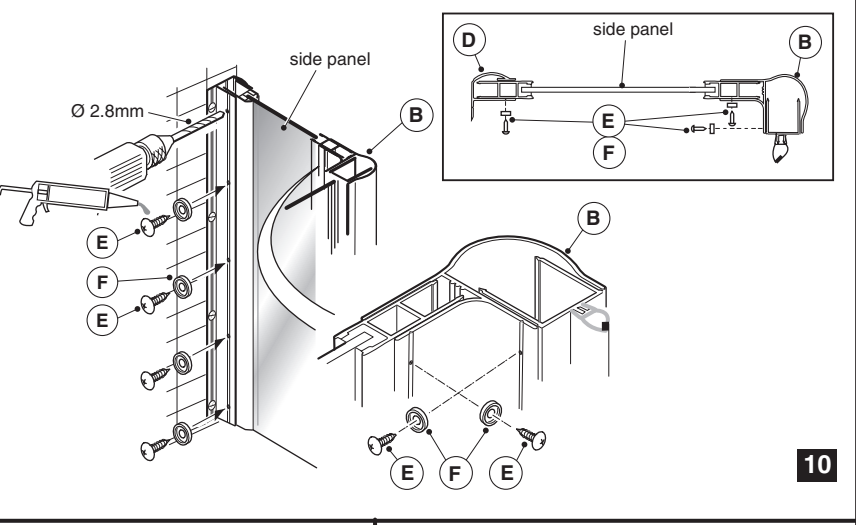
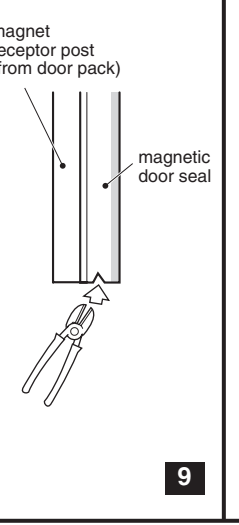
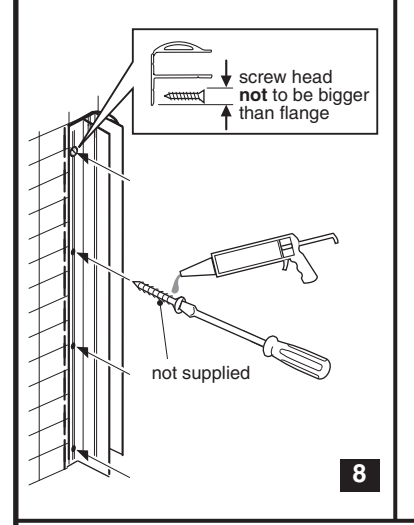
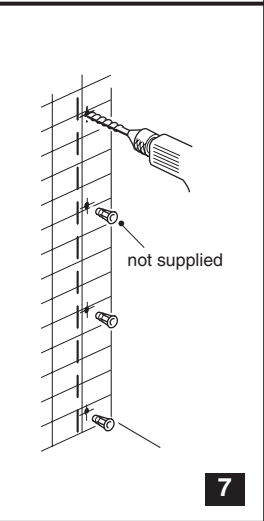
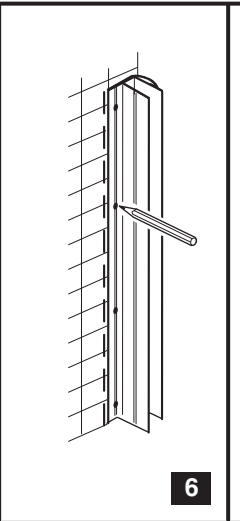
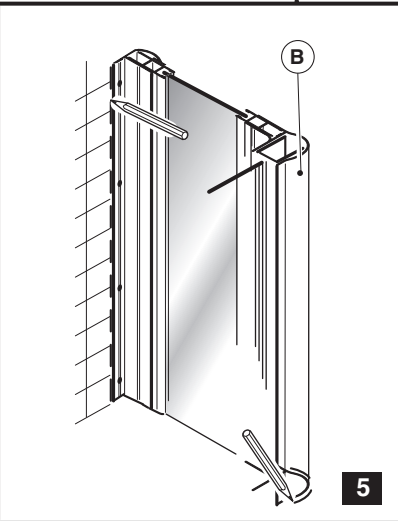
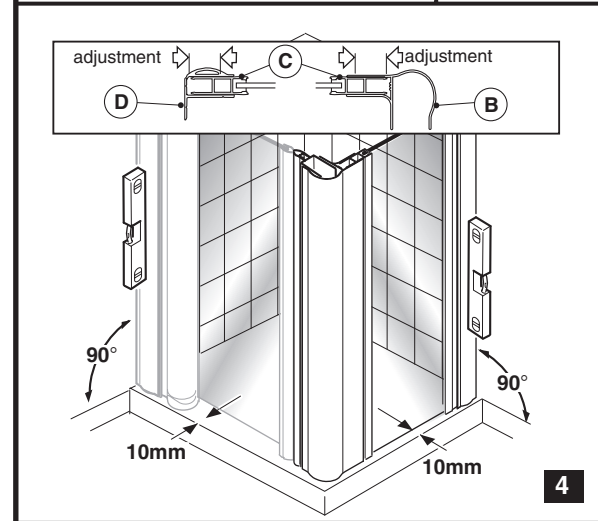
4 Apply a continuous bead of clear silicone sealant along the base from the wall, around the corner post and along to the magnetic seal. Ensure that there are no gaps left where the sealant is applied.

Allow 24 hours for the silicone sealant to fully cure before use.

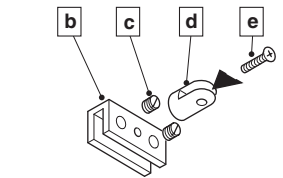
12 Clip the wall post concealed fixing cover into position by pushing it firmly over the plastic washers on the wall post. Similarly, clip the corner post concealed fixing cover (A) over the plastic washers on the corner post, taking care to fit it the correct way round.

13 A support bracket is supplied to make the enclosure more rigid.

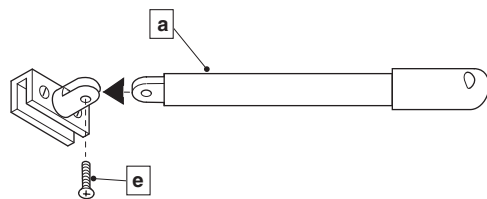
An alternative design to the one illustrated may be supplied, but the fitting procedure will be similar. See back page for fitting instructions.



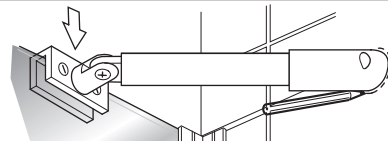
13 - SUPPORT BRACKET



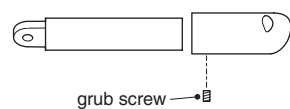
Insert the two plastic grub screws (c) partially into the 'U' bracket (b).



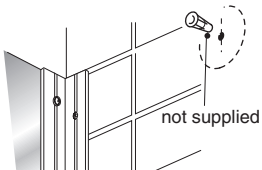
Fasten the swivel joint (d) to the 'U' bracket with screw (e).



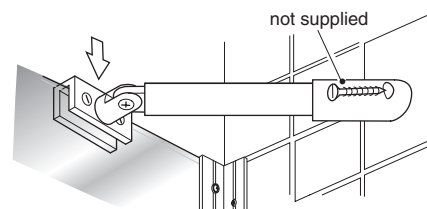
Fit the 'U' bracket over the top of the glass panel and slide it carefully along until the angled joint touches the wall with the bar at approximately 45 degrees between the wall and the panel. When satisfied with the position of the bracket, mark its position on the wall through the hole in the base.



If necessary, the bar may be shortened by cutting it to the desired length with a hacksaw. The angled boss is secured to the bar with a grub screw. Remove the boss and cut the bar. Replace the boss and tighten the grub screw.



Swing the bracket away from the wall and drill through the centre of the marked position. Insert a suitable wall fixing.



Return the angled joint to the wall and using a screw suitable to the wall fixing, secure it to the wall. Carefully tighten the plastic grub screws in the 'U' bracket onto the glass and tighten the screws in the swivel joints.



SIDE PANEL

FOR USE WITH RISE AND FALL HINGE PIVOT DOOR

FEATURES

- ADJUSTABLE CORNER AND WALL POST
- APPROVED FOR POWER SHOWERS
- CONCEALED FIXING COVERS

FULL FITTING INSTRUCTIONS

FOR INSTALLATION IN A WET ROOM OR WITH A SHOWER TRAY

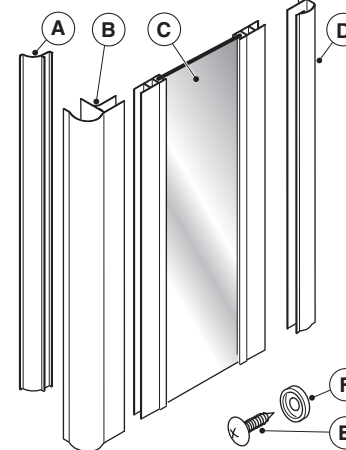
ALL NOMINAL DIMENSIONS IN MILLIMETRES

Please ensure that these instructions are read thoroughly prior to installation. The manufacturer cannot be held responsible for any problems arising from an incorrectly installed product.

CONTENTS

SIDE PANEL PACK

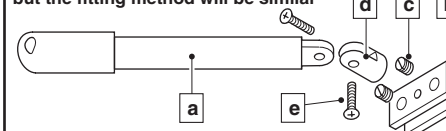
Please note that the magnetic seal and receptor post, as well as some of the screws and plastic washers used in this assembly are those supplied in the door pack and that the side panel wall post (D) replaces the shorter one of those supplied in the door pack, as it has a narrower profile to fit the side panel.



REF	DESCRIPTION	QTY
A	CONCEALED FIXING COVER (corner post)	1
B	CORNER POST	1
C	SIDE PANEL	1
D	WALL POST	1
E	SELF TAPPING SCREW No 6 x 3/8" long	8
F	PLASTIC WASHER	8

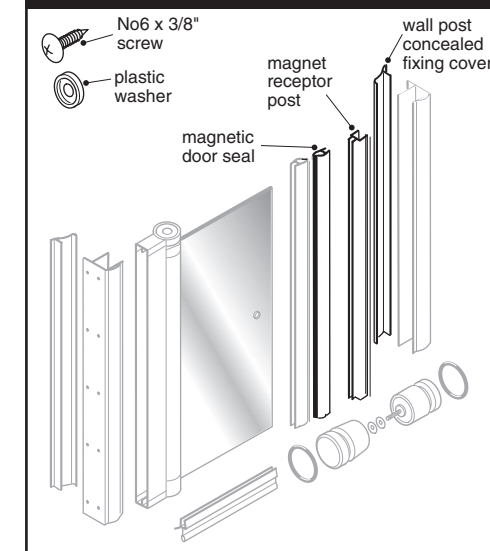
SUPPORT BRACKET

An alternative design of bracket may be supplied but the fitting method will be similar



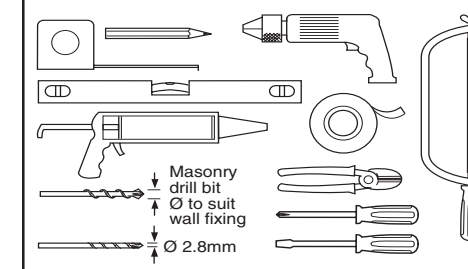
REF	DESCRIPTION	QTY
a	SUPPORT BRACKET ARM	1
b	'U' BRACKET	1
c	GRUB SCREW plastic	2
d	SWIVEL JOINT	1
e	FIXING SCREW	2

ITEMS REQUIRED FROM DOOR PACK



TOOLS REQUIRED

Note: The silicone sealant to be used in the assembly and finish of this shower enclosure should be CLEAR.



Guarantee Terms and Conditions

The Manufacturers policy is one of continuous development and improvement and accordingly we reserve the right to alter specification without prior notice.

The utmost care has been taken in the manufacture of this product to ensure it gives complete satisfaction. To the best of our knowledge this product was in perfect condition when it left our factory. You are recommended to examine it before installation and check quality, accuracy of the components and quantity of the contents. Customers should note that claims for damage to glass, finish or shortages must be submitted to the vendor before installation. The manufacturer also reserves the right to disallow claims once the product has been installed.

Failure to follow the recommendations set out in these instructions or to install in a manner not approved by the manufacturer may result in all or part of the product guarantee being null or void.

This product is guaranteed by the manufacturer for a period of 10 years from the date of purchase and no other proposal or statement by any other party will supersede or complement this offer. Should any part of it become defective due to faulty manufacture or materials, it will be replaced free of charge (supply only). Any parts supplied will have a guarantee term for the remaining period of the initial product guarantee stated previously. The product is not guaranteed against conditions of use or misuse.

This guarantee does not cover glass breakage however caused, or any fault arising from incorrect installation. Any replacement parts supplied, including assemblies, or completed products, are for DIY installation and no claim can be accepted for any costs however incurred for the installation of the replacement items.

This guarantee is offered as an extra benefit and is in addition to and does not affect your statutory rights. Please retain your receipt as proof of purchase.

CARE AND ATTENTION

Clean your enclosure with mild detergent and water promptly after use. This will prevent the build up of limescale.

NEVER use an abrasive or aggressive cleaner.

A proprietary glass cleaner can be used if necessary.