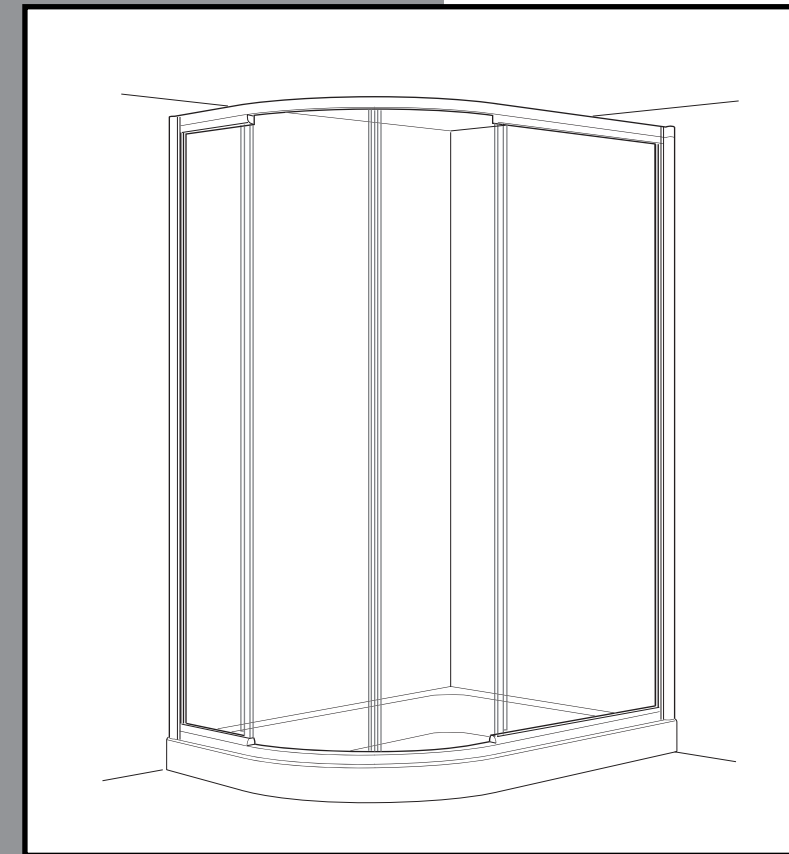


# SEMI FRAMELESS QUADRANT

THE ULTIMATE IN LUXURY FOR QUARTER-CIRCLE SHOWER ENCLOSURES



## ENCLOSURE SIZE

	800 x 800
	900 x 900
	760 x 900
	800 x 1200
	900 x 1200

## GLASS DESIGN

	CLEAR
	PLATINUM

## FRAME COLOUR

	WHITE
	CHROME

1850 TALL

ADJUSTABLE WALL POSTS

5/6mm TOUGHENED BS SAFETY GLASS

SMOOTH ROLLER BEARING ACTION OFFERING MAXIMUM ENTRY

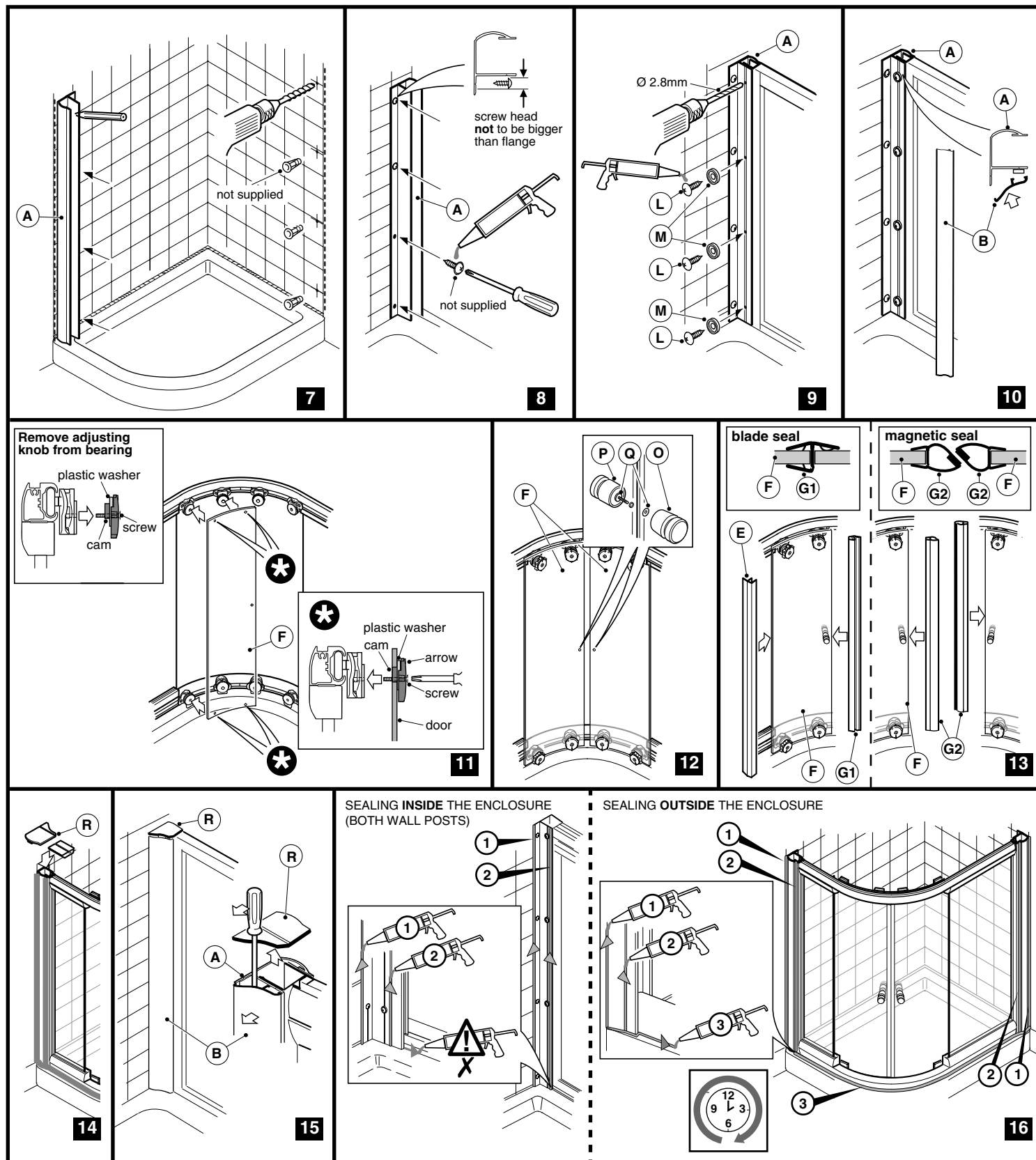
POWER SHOWER TESTED

COLOUR CO-ORDINATED WALL POST COVER CAPS

CONCEALED FIXING COVERS

FULL FITTING INSTRUCTIONS ENCLOSED

ALL NOMINAL DIMENSIONS IN MILLIMETRES



The manufacturer's policy is one of continuous development and improvement and accordingly we reserve the right to change specifications without prior notice.

The utmost care has been taken in the manufacture of the Shower Enclosure to ensure that it gives complete satisfaction. To the best of our knowledge this product was in perfect condition when it left the factory but customers should note that claims for damage to glass, finish or shortages must be submitted to the vendor before installation.

The manufacturer reserves the right to disallow claims once the assembly has been installed. Failure to follow the recommendations set out in these instructions or to install in a manner not approved by the manufacturer may result in all or part of the product guarantee being null and void.

### 10 YEAR GUARANTEE

This product is covered by a 10 year guarantee. Should any part of it become defective due to faulty materials or manufacture, it will be replaced free of charge (supply only).

This guarantee does not cover glass breakage or any fault arising from incorrect installation. Any replacement parts are for DIY installation and no claim can be accepted for any costs incurred for the installation of the replacement parts.

This guarantee does not affect your statutory rights. Please retain your receipt as dated proof of purchase. We reserve the right to change the specification of our products without prior notice.

### STOCKIST'S STAMP

Please ensure that these instructions are read thoroughly prior to installation. The manufacturer cannot be held responsible for any problems arising from an incorrectly installed product.

**Note:** This is a quality heavy product. For certain operations, assistance may be required.

**Prior to installation**

Carefully unwrap the product; ensuring it is placed on a clean surface to reduce the risk of scratching the finish. Inspect the product for transit damage, all such damage must be reported within 3 days of receipt to the supplier.

**IMPORTANT**

Take care to avoid hidden water pipes and electrical cables when drilling into the wall.

Seek expert advice on: the type of wall fixings applicable to your wall construction and the type of sealant to use in your application.

As with all toughened glass, handle the panels with extreme care avoiding any knocks to the unprotected edges.

**Installation**

The following text is to be read in conjunction with the pictorial diagrams.

- Tools required.
  - Check contents and familiarise yourself with the items supplied.
  - Ensure that a suitable shower base has been installed as per the manufacturer's instructions, that it is level and the joint between the tiles and the tray is sealed with a continuous bead of suitable silicone sealant. Ensure that the walls are tiled and are vertical to the base. Check that the minimum and maximum adjustments of this product correspond to the dimensions of the tiled opening.
  - Slide two of the roller bearings (K) into one end of a track (D), taking care to put them in the correct way round (the rollers of the top bearings at the top and the rollers of the bottom bearings at the bottom). Tap in an end stop (J1). Slide two roller bearings into the other end of the track and tap in the end stop. Repeat this procedure, inserting the remaining roller bearings and end stops in the other track (D).
- Note:* For 1200 side panel, insert the small door stop (J2) into the track before fitting the end stop (J1). The small door stop should be glued in position 290mm from the end stop.
- If space permits, it is easier if the enclosure is assembled laid out on a protective surface. Ensure that the curved faces of the top and bottom frames of the fixed panels (C) face the outside of the enclosure. Generously coat the top and bottom edges of the fixed panels (C) with silicone sealant. Place one track (D) onto the bottom of a fixed panel, push firmly into position and fix using No.6 x 1-1/4" screws (H) through the pre-drilled holes, two in the bottom and one in the side through the side panel. Repeat this procedure for the other track. Position the second fixed panel (C) between the top and bottom tracks. Fix the bottom track with No.6 x 1-1/4" screws (H) through the pre-drilled holes, three in the bottom and one in the side through the side panel. Repeat this procedure for the top track. If this panel is the same size as the first, only two screws are required top and bottom.

- Stand the enclosure the correct way up. Push the wall posts (A) firmly onto the fixed panel sides (C), ensuring that the flange on each wall post is facing the inside of the enclosure. Lift the formed enclosure and place it onto the tray. To prevent marking the tray when moving the enclosure about its surface, tape a layer of paper on top of the shower tray. Ensure the enclosure is vertical and set back approximately 10mm from the outside edge of the tray. If necessary, the width of the enclosure can be increased by moving the wall posts outwards from the door assembly, ensuring that there is enough overlap for the fixing screws to secure the wall posts and the door assembly together. Hold in place and draw a pencil line down the side of each wall post. Remove the enclosure and separate the wall posts from it.
- Place the wall posts against the pencil lines and mark through the pre-punched holes. Drill the wall at the pre-marked positions and insert wall fixings (not supplied) applicable to your wall type construction. Remove the protective paper (if used) from the shower tray.
- Attach both wall posts (A) to the wall using screws applicable for your wall fixings, ensuring that the head of the screw is not bigger than the flange of the wall post, otherwise it will prevent the correct fitting of the concealed fixing cover (B). It is recommended that you apply a small bead of silicone sealant behind the head of each screw before tightening to prevent water ingress.
- Position the enclosure on the tray, ensuring it is centralised between both wall posts and square to the tray. To secure the enclosure to the wall posts, drill four holes with a 2.8mm drill bit through each wall post, using the vee groove as a guide, in line with the screws which fasten the wall posts to the wall. Fasten with the No.6 x 3/8" screws (L) and plastic washers (M) provided.

**10** Clip the concealed fixing covers (B) into position by pushing firmly over the plastic washers.

**11** Remove the adjusting knobs from each of the roller bearings. Lift one curved door panel (F) into the cubicle and line up the two top holes in the glass with the screw holes in the top bearings (K). Ensure that the hole for the door knob is nearest to the centre of the opening. It is recommended that another person is available to assist. Push the cam of one of the adjusting knobs through one of the holes in the top of the door, with the arrow on the knob pointing upwards. Insert the centre screw into the hole in the bearing and tighten the screw. Repeat this procedure for the other top bearing. Fit the adjusting knobs to the bottom bearings in a similar manner, but it may be necessary to rotate the knobs to allow the centre screw to fit the bearing. Repeat this procedure to fit the second door. Check the alignment of the doors. If necessary slowly rotate each adjusting knob in turn until the doors close squarely together.

**12** Place one plastic base washer (Q) onto the threaded rod of the door handle (P) and insert the rod through the hole in the glass door. Slide the second washer (Q) onto the threaded rod and screw on the second door handle (O).

**DO NOT OVERTIGHTEN.**

Repeat the process fitting the door handle to the second door.

**13** The doors are supplied with either a single blade seal (G1) or a pair of magnetic seals (G2), which provide a water tight seal between the doors.

**Single blade seal (G1)** Firmly push the door seal (G1) onto one of the doors (F) on the edge nearest to the door handle, with the blade of the seal against the glass on the outside of the adjacent door when closed.

**Magnetic seals (G2)** Firmly push a magnetic door seal (G2) onto each door (F) on the edge nearest to the door handle, ensuring that the magnetic strips press firmly together from top to bottom when closed.

Push an anti-splash seal (E) onto each door on the side opposite to the door handle, ensuring that the blade of the seal faces the glass in the side panel.

Check the operation of the doors.

**14** Push the cover caps (R) into position on the top of the enclosure (see separate instructions).

**15** If it is necessary to remove the concealed fixing covers (A) at any time, carefully remove the cover caps (R) from the wall posts. Insert a screwdriver between the concealed fixing cover and the wall post and gently prise the cover off.

**16** It is important that the shower enclosure is sealed properly and carefully to allow any water to flow back INTO the shower tray at the correct places. All surfaces must be clean and dry before the application of sealant.

**INSIDE THE ENCLOSURE**

- Apply a continuous bead of silicone sealant from bottom to top between the wall post and the wall.
- Apply a continuous bead of silicone sealant from bottom to top between the wall post and the door frame.

**DO NOT SEAL ALONG THE BOTTOM OF THE INSIDE OF THE FRAME WHERE IT SITS ON THE SHOWER TRAY** as this will prevent any water draining back into the tray.

**OUTSIDE THE ENCLOSURE**

- Apply a continuous bead of silicone sealant from bottom to top between the wall post and the wall.
- Apply a continuous bead of silicone sealant from bottom to top between the wall post and the door frame.
- Apply a continuous bead of silicone sealant the full width from wall to wall along the bottom of the enclosure where it sits on the tray to prevent water seeping outside the enclosure. Ensure that there are no gaps left where the sealant is applied.

Allow 24 hours for the silicone sealant to fully cure before use.

**Care and attention.**

Clean your enclosure with mild detergent and water promptly after use. This will prevent the build up of limescale.

NEVER use an abrasive or aggressive cleaner.

A proprietary glass cleaner can be used if necessary.

After long term use, lubricate rollers with white petroleum jelly.

After extreme use, the doors may be removed to allow access to the rollers and track for cleaning. First unscrew and remove the bottom bearing adjusting knobs, then remove the two top bearing knobs, ensuring that the door is held securely. Replace as in step 11.

**TROUBLE SHOOTING**

**Fitting side panels to the tracks; a flush fit cannot be achieved**

Undo screws through side panel vertical and tighten screws down into horizontal. Refit side panel vertical screws.

**Doors do not close square or securely**

Ensure the tray is level and 90° to the walls.

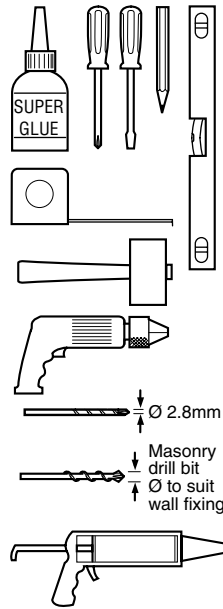
Check that the enclosure is vertical.

**Concealed fixing cover will not fit**

Check that the screw head is not catching the fixing cover.

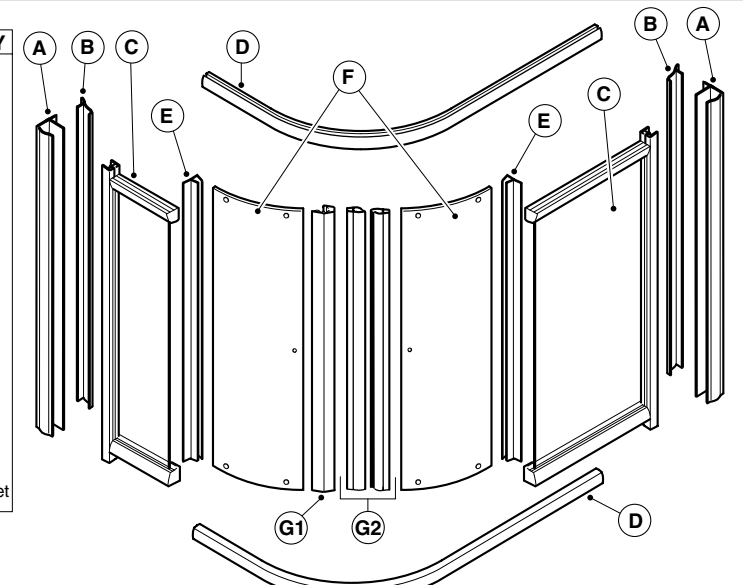
Ensure the fixing cover has not been twisted during fitting.

**TOOLS REQUIRED**



**CONTENTS**

REF	DESCRIPTION	QTY
A	FRAME PACK containing: WALL POST	2
B	CONCEALED FIXING COVER	2
C	FIXED SIDE PANEL	2
D	TRACK	2
E	DOOR PACK containing: ANTI-SPLASH SEAL	2
F	CURVED DOOR PANEL	2
G1	DOOR SEAL (single blade type)	1
G2	OR DOOR SEAL (magnetic)	2
H	FIXINGS PACK containing: SCREW - No.6 x 1-1/4"	14
J1	END STOP (centre ones supplied fitted)	4
J2	DOOR STOP	2
K	ROLLER BEARING	8
L	SCREW - No.6 x 3/8"	8
M	PLASTIC WASHER	8
N	'O' RING for door handle	4
O	DOOR HANDLE	2
P	DOOR HANDLE with threaded rod	2
Q	BASE WASHER	4
R	COVER CAPS	1 set



**FIXINGS PACK**

